

LF24-SR US - Damper Actuator

Modulating, Spring Return, 24 VAC/DC, for 2 to 10 VDC or 4 to 20 mA Control Signal



Technical Data

| | |
|-----------------------------------|---|
| Power Supply | 24 VAC ± 20%, 50/60 Hz, 24 VDC ± 10% |
| Power Consumption Running | 2.5 W |
| Power Consumption Holding | 1 W |
| Transformer Sizing | 5 VA (class 2 power source) |
| Shaft Diameter | 3/8" to 1/2" round, centers on 1/2" |
| Electrical Connection | 3 ft [1 m], 18 GA plenum cable with 1/2" conduit connector |
| Overload Protection | electronic throughout 0° to 95° rotation |
| Electrical Protection | actuators are double insulated |
| Operating Range | 2 to 10 VDC, 4 to 20 mA w/ ZG-R01 (500 Ω, 1/4 W resistor) |
| Input Impedance | 100 k Ω for 2 to 10 VDC (0.1 mA), 500 Ω for 4 to 20 mA |
| Position Feedback | 2 to 10 VDC (max 0.7 mA) for 95° |
| Angle of Rotation | max. 95°, adjustable with mechanical stop |
| Torque | 35 in-lbs [4 Nm] minimum |
| Direction of Rotation (Motor) | reversible with built-in switch |
| Direction of Rotation (Fail-Safe) | reversible with CW/CCW mounting |
| Position Indication | visual indicator, 0° to 95° (0° is full spring return position) |
| Running Time (Motor) | 150 sec constant, independent of load |
| Running Time (Fail-Safe) | <25 sec @ -4°F to 122°F [-20°C to 50°C], < 60 sec @ -22°F [-30°C] |
| Humidity | max. 95% RH non-condensing |
| Ambient Temperature Range | -22°F to 122°F [-30°C to 50°C] |
| Storage Temperature Range | -40°F to 176°F [-40°C to 80°C] |
| Housing | NEMA 2, IP54 |
| Housing Material | zinc coated steel |
| Agency Listings† | cULus acc. To UL 873 and CAN/CSA C22.2 No. 24-93 |
| Sound power level | <30 dB (A) |
| Noise Level (Fail-Safe) | <62 dB (A) |
| Servicing | maintenance free |
| Quality Standard | ISO 9001 |
| Weight | 3.1 lb [1.4 kg] |

†Rated Impulse Voltage 800V, Type of action 1.AA, Control Pollution Degree 3

Torque min. 35 in-lb, for control of air dampers.

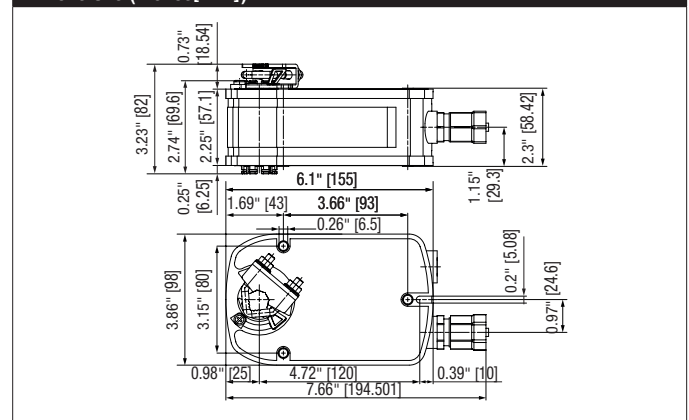
Application

For fail-safe, modulating control of dampers in HVAC systems. Actuator sizing should be done in accordance with the damper manufacturer's specifications. The actuator is mounted directly to a damper shaft from 3/8" up to 1/2" in diameter by means of its universal clamp, 1/2" shaft centered at delivery. For shafts up to 3/4" use K6-1 accessory. A crank arm and several mounting brackets are available for applications where the actuator cannot be direct coupled to the damper shaft. The actuator operates in response to a 2 to 10 VDC, or with the addition of a 500Ω resistor, a 4 to 20 mA control input from an electronic controller or positioner. A 2 to 10 VDC feedback signal is provided for position indication.

Operation

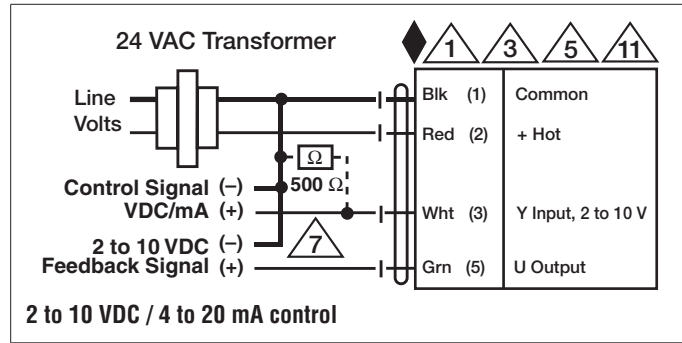
The LF series actuators provide true spring return operation for reliable fail-safe application and positive close-off on air tight dampers. The spring return system provides consistent torque to the damper with, and without, power applied to the actuator. The LF series provides 95° of rotation and is provided with a graduated position indicator showing 0 to 95°. The LF24-SR US uses a brushless DC motor which is controlled by an Application Specific Integrated Circuit (ASIC) and a microprocessor. The microprocessor provides the intelligence to the ASIC to provide a constant rotation rate and to know the actuator's exact fail-safe position. The ASIC monitors and controls the brushless DC motor's rotation and provides a digital rotation sensing function to prevent damage to the actuator in a stall condition. The actuator may be stalled anywhere in its normal rotation without the need of mechanical end switches. Power consumption is reduced in holding mode.

Dimensions (Inches[mm])



Date created, 04/07/2016 - Subject to change. © Belimo Aircontrols (USA), Inc.

| Accessories | |
|---------------|--|
| AV6-20 | 6.7" shaft extension for 1/4" to 3/4" diameter shafts. |
| IND-LF | LF position indicator. |
| K6 US | Standard LF clamp (3/8" to 1/2"). |
| K6-1 | LF clamp (1/2" to 3/4"). |
| KG10A | Ball joint for 3/8" diameter rod, zinc plated. |
| KG6 | Ball joint for 5/16" diameter rod, zinc plated. |
| KG8 | Ball joint for 5/16" diameter rod, 90°, galvanized steel. |
| KH12 | Univ. crankarm, slot 21/64" w, for 3/4" to 1" dia. shafts. |
| KH6 | Univ. crankarm, slot 1/4" w, for 3/8" to 11/16" dia. shafts. |
| KH8 | Univ. crankarm, slot 21/64" w, for 3/8" to 11/16" dia. shafts. |
| KH-LF | LF crankarm (with 1/2" diameter shaft pass through). |
| KH-LFV | V-bolt Kit for KH-LF. |
| LF-P | Anti-rotation bracket LF. |
| SH10 | Push rod for KG10A ball joint (36" L, 3/8" diameter). |
| SH8 | Push rod for KG6 & KG8 ball joints (36" L, 5/16" diameter). |
| TOOL-06 | 8 mm and 10 mm wrench. |
| ZDB-LF | Angle of rotation Limiter for LF. |
| ZF8-LF | 8x8 mm form fit adaptor for LF. |
| ZG-109 | Right angle bracket for ZS-260. |
| ZG-110 | Stand-off bracket for ZS-260. |
| ZG-112 | LF right angle bracket (4-1/2" H x 5-1/2" W x 2-1/2" D). |
| ZG-DC1 | Damper clip for damper blade, 3.5" width. |
| ZG-DC2 | Damper clip for damper blade, 6" width. |
| ZG-LF112 | LF crankarm adaptor kit (includes ZG-112). |
| ZG-LF2 | LF crankarm adaptor kit (T bracket included). |
| ZG-LMSA-1 | Shaft extension for 3/8" diameter shafts (4" L). |
| ZG-LMSA-1/2-5 | Shaft extension for 1/2" diameter shafts (5" L). |
| ZS-100 | Weather shield - galvaneal (13" L x 8" W x 6" D). |
| ZS-101 | Base plate for ZS-100. |
| ZS-150 | Weather shield - PC w/ foam seal (16" L x 8-3/8" W x 4" D). |
| ZS-260 | Explosion proof housing. |
| ZS-300 | NEMA 4X, 304 stainless steel enclosure. |
| ZS-300-5 | NEMA 4X, 316L stainless steel enclosure. |
| ZS-300-C1 | 1/2" shaft adaptor, standard with ZS-300(-5). |
| ZS-300-C2 | 3/4" shaft adaptor for ZS-300(-5). |
| ZS-300-C3 | 1" shaft adaptor for ZS-300(-5). |
| ADS-100 | Analog to digital switch for modulating actuators. |
| IRM-100 | Input rescaling module for modulating actuators. |
| PS-100 | Actuator power supply and control simulator. |
| PTA-250 | Pulse width modulation interface for modulating actuators. |
| SGA24 | Positioner control for modulating actuators (surface mount). |
| SGF24 | Positioner control for modulating actuators (flush mount). |
| ZG-R01 | 4 to 20 mA adaptor, 500Ω, 1/4 W resistor w 6" pigtail wires. |
| ZG-R02 | 50% voltage divider kit (resistors with wires). |
| ZG-SGF | Mounting plate for SGF. |
| ZG-X40 | 120 to 24 VAC, 40 VA transformer. |



LF24-SR US - Damper Actuator

Modulating, Spring Return, 24 VAC/DC, for 2 to 10 VDC or 4 to 20 mA Control Signal

Typical Specification

Spring return control damper actuators shall be direct coupled type which require no crank arm and linkage and be capable of direct mounting to a shaft up to a 3/4" diameter and center on a 1/2" shaft (default). Actuator shall deliver a minimum output torque of 35 in-lbs. The actuator must provide modulating damper control in response to a 2 to 10 VDC or, with the addition of a 500Ω resistor, a 4 to 20 mA control input from an electronic controller. Actuators shall use a brushless DC motor controlled by a microprocessor and be protected from overload at all angles of rotation. Run time shall be constant, and independent of torque. A 2 to 10 feedback signal shall be provided for position feedback. The actuator must be designed so that they may be used for either clockwise or counter clockwise failsafe operation. Actuators shall be cULus listed, have a 5 year warranty, and be manufactured under ISO 9001 International Quality Control Standards. Actuators shall be as manufactured by Belimo.

Wiring Diagrams



WARNING! LIVE ELECTRICAL COMPONENTS!

During installation, testing, servicing and troubleshooting of this product, it may be necessary to work with live electrical components. Have a qualified licensed electrician or other individual who has been properly trained in handling live electrical components perform these tasks. Failure to follow all electrical safety precautions when exposed to live electrical components could result in death or serious injury.



Meets cULus requirements without the need of an electrical ground connection.



Provide overload protection and disconnect as required.



Actuators may also be powered by 24 VDC.



Only connect common to negative (-) leg of control circuits.



A 500 Ω resistor (ZG-R01) converts the 4 to 20 mA control signal to 2 to 10 VDC.



Actuators may be connected in parallel if not mechanically linked. Power consumption and input impedance must be observed.