



# BALL VALVE - 24V DCA

## 2 POSITION/FLOATING BELIMO DAMPER ELECTRIC ACTUATORS

### 1/2" - 2" BRASS BODY, 3-WAY BALL VALVES

### 3-WAY BALL VALVES

**BODY RATING:** ANSI 250/600 WOG  
**STATIC PRESSURE:** 360 psi  
**TEMPERATURE:** 250°F  
**CLOSE-OFF PRESSURE:** 200 psi  
**BODY:** FORGED BRASS ASTM B283-06  
**END CONNECTIONS:** FEMALE NPT  
**BALL:** CHROME-PLATED BRASS OR STAINLESS STEEL  
**STEM:** BRASS OR STAINLESS STEEL  
**STEM SEALS:** DUAL TEFLON SEALS AND EPDM O-RING  
**BALL SEALS:** TEFLON SEALS WITH EPDM O-RINGS  
**FLOW CHARACTERISTIC:** EQUAL PERCENTAGE  
**FLOW CHARACTERIZER:** GLASS FILLED POLYMER  
**LEAKAGE RATE:** CLASS IV  
**CONTROLLED MEDIUM:** CHILLED WATER, HOT WATER,  
 50% WATER-GLYCOL SOLUTIONS



VALVE INFORMATION			NON-SPRING RETURN		SPRING RETURN
SIZE	MODEL #	Cv	LMB24-3	TFB24	LF24
2"	UR3FAFB(S)	23.9			
	UR3FBFB(S)	56.7			
	UR3FCFB(S)	38.2			
	UR3FDFB(S)	108.5			
	UR3FEFB(S)	82.6			

\* DENOTES A FULL PORT VALVE WITHOUT FLOW OPTIMIZER INSERT.  
 (S) DENOTES STAINLESS STEEL TRIM AND BALL.

### 2 POSITION DAMPER ACTUATORS

#### NEMA 2 PROTECTION

**POWER SUPPLY:** 24VAC ± 20% 50/60Hz  
 24VDC ± 10%

**TEMPERATURE RANGE:** -5°F to +125°F

**RUNTIME:** 75 to 150 sec

#### POWER CONSUMPTION

**LMB24-3:** 3VA / 1.5W

**TFB24:** 5VA / 2W

**LF24:** 5VA / 2.5W

#### POWER CONNECTION

1/2" CONDUIT TO 3' CABLE (18 GA)

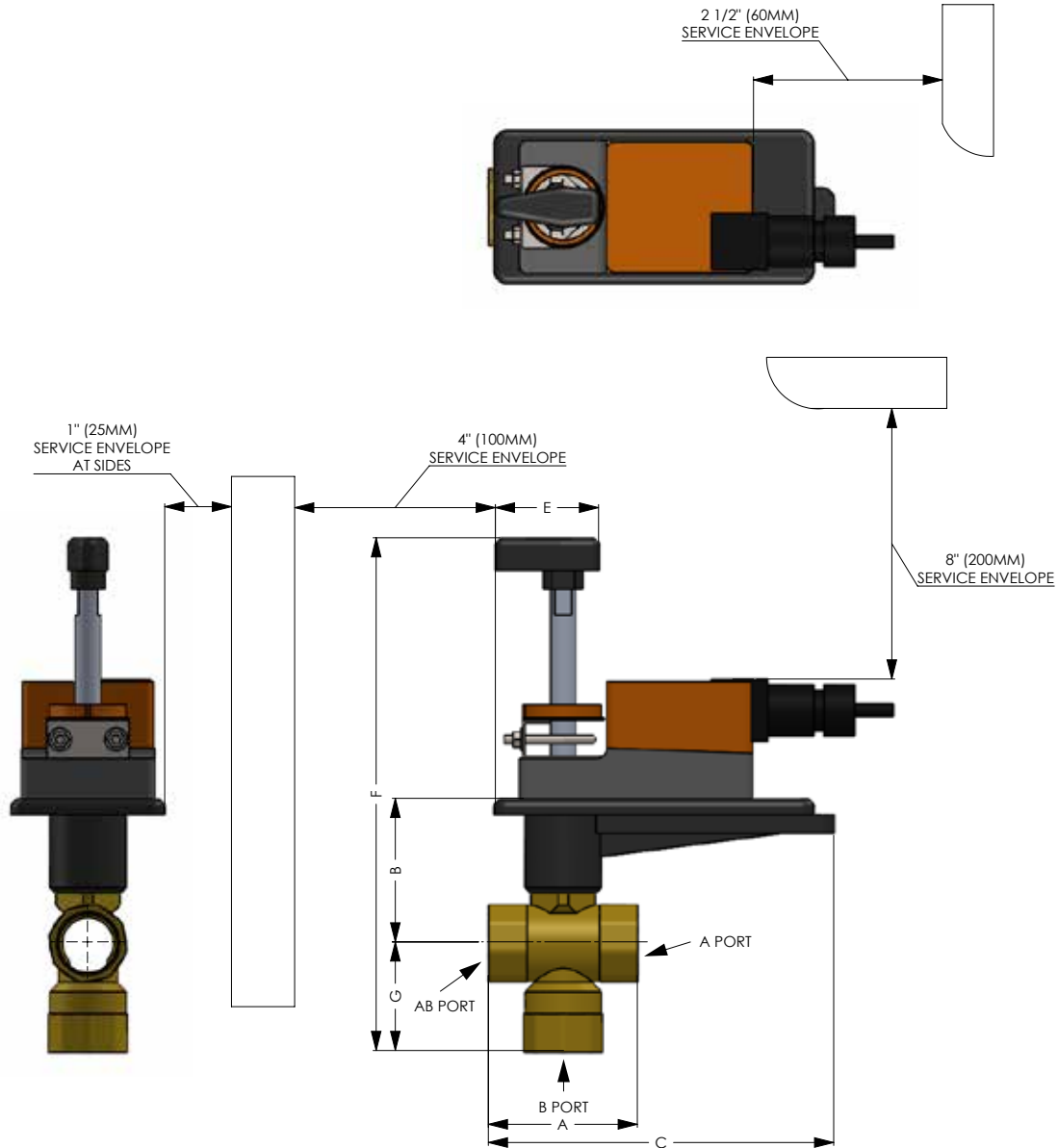
VALVE INFORMATION			NON-SPRING RETURN		SPRING RETURN	
SIZE	MODEL #	Cv	LMB24-3	TFB24	LF24	
1/2"	UR3Aafb(S)	0.33				
	UR3ABfb(S)	0.59				
	UR3ACfb(S)	1.0				
	UR3ADfb(S)	2.4				
	UR3AEfb(S)	4.3				
	UR3AFFb(S)	8.0				
3/4"	UR3BAfb(S)	0.40				
	UR3BBfb(S)	0.66				
	UR3BCfb(S)	1.3				
	UR3BDfb(S)	2.4				
	UR3BEfb(S)	3.8				
	UR3BFFb(S)*	11.0				
1"	UR3CAfb(S)	0.40				
	UR3CBfb(S)	0.65				
	UR3CCfb(S)	1.3				
	UR3CDFb(S)	2.3				
	UR3CEFb(S)	3.5				
	UR3CFFb(S)	10.0				
	UR3CGfb(S)	8.6				
	UR3CHFb(S)	22.3				
	UR3CJfb(S)	14.9				
	UR3CKfb(S)	4.5				
	UR3CMfb(S)	30.8				
1 1/4"	UR3DBfb(S)*	19.4				
	UR3DCFb(S)	14.7				
	UR3DDfb(S)	4.1				
	UR3DEFb(S)	8.7				
	UR3DFFb(S)*	34.1				
	UR3DGFb(S)	26.8				
1 1/2"	UR3Eafb(S)	13.4				
	UR3EBfb(S)	4.0				
	UR3ECfb(S)	8.3				
	UR3EDfb(S)*	32.0				
	UR3EEfb(S)	23.5				
	UR3EFFb(S)	61.1				



# BALL VALVE - 24V DCA

## 2 POSITION/FLOATING BELIMO DAMPER ELECTRIC ACTUATORS

### 1/2" - 2" BRASS BODY, 3-WAY BALL VALVES



### Dimensions

VALVE SIZE	MODEL	MODEL (Cv)	A	B	C	E	F	G
1/2"	UR3A_	A(0.33), B(0.59), C(1.0), D(2.4), E(4.3), F(8.0)	2.7	3.4	7.0	2.02	9.5	2.0
3/4"	UR3B_	A(0.40), B(0.66), C(1.3), D(2.4), E(3.8), F(11.0)	2.8	3.4	6.5	2.02	8.9	2.0
1"	UR3C_	A(0.40), B(0.65), C(1.3), D(2.3), E(3.5), F(10.0)	2.8	3.4	7.3	2.02	9.6	2.1
		G(8.6), H(22.3)	3.0	3.9	6.8		9.9	2.4
		J(14.9), K(4.5), M(30.8)	4.3	4.1	7.8		10.9	3.3
1 1/4"	UR3D_	B(19.4), D(4.1), E(8.7)	3.0	3.9	6.8	2.02	9.9	2.4
		C(12.7), F(34.1), G(26.8)	3.6	4.1	7.3		10.4	2.8
1 1/2"	UR3E_	A(13.4), B(4.0), C(8.3), D(32.0)	3.4	4.1	7.8	2.02	10.9	2.7
		E(23.5), F(61.1)	4.0	4.6	7.3		11.1	3.2
2"	UR3F_	A(23.9), B(56.7), C(38.2)	4.0	4.6	7.3	2.02	11.1	3.2
		D(108.5), E(82.6)	5.0	5.9	7.8		12.4	3.8

Inch (mm)