

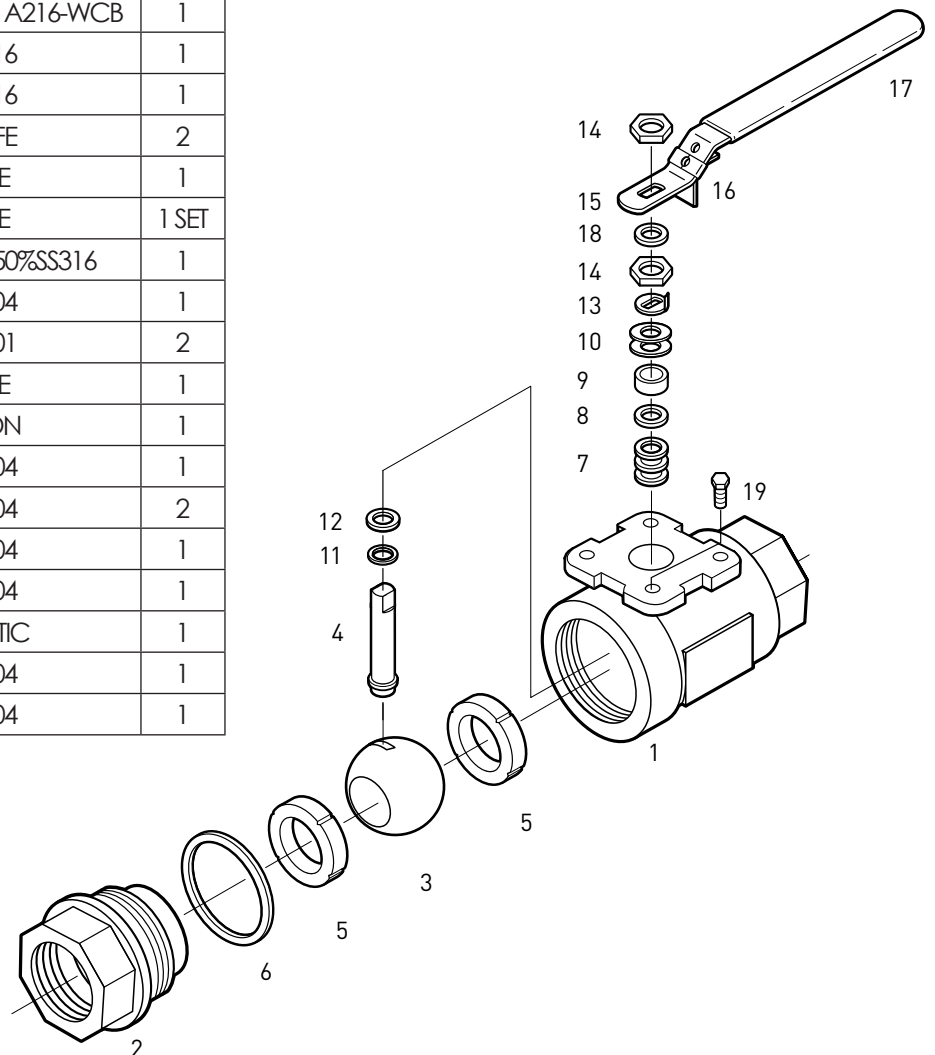


## FEATURES

- TWO PIECE BALL VALVE
- ANSI B 1.20.1 NPT THREADS
- FULL BORE BALLS
- 1000 WOG
- BLOW OUT PROOF STEM
- ADJUSTABLE STEM PACKING
- LOW OPERATING TORQUE
- QUICK LOCK HANDLE
- INTEGRATED ISO MOUNTING PAD

## MATERIALS LIST

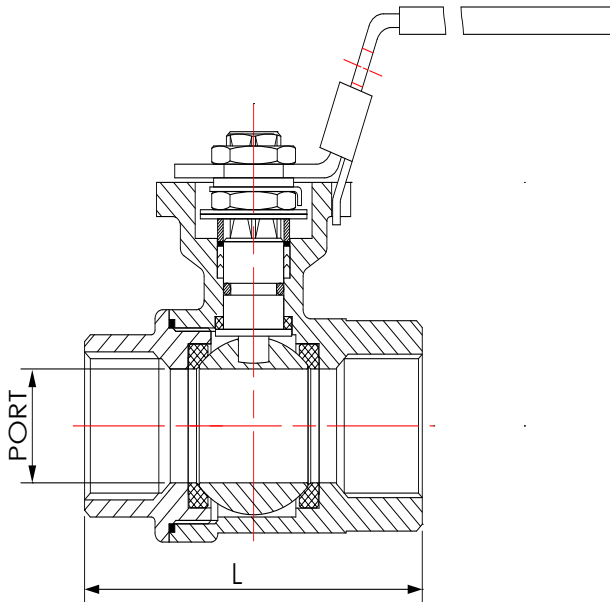
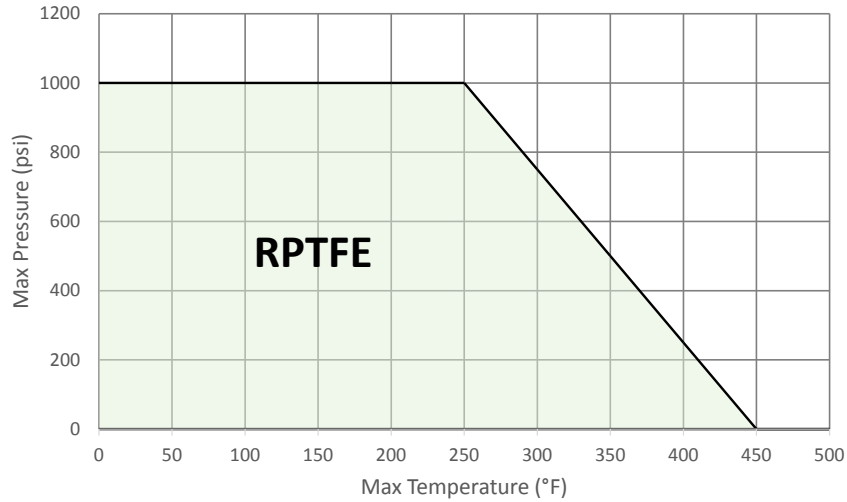
NO.	PART NAME	MATERIAL	QTY
1	BODY	A351-CF8M A216-WCB	1
2	END CAP	A351-CF8M A216-WCB	1
3	BALL	SS316	1
4	STEM	SS316	1
5	SEAT	RPTFE	2
6	BODY SEAL	PTFE	1
7	STEM PACKING	PTFE	1 SET
8	PACKING PROTECTOR	50% PTFE / 50%SS316	1
9	PACKING SLEEVE	SS304	1
10	BELLEVILLE WASHER	SS301	2
11	THRUST WASHER	PTFE	1
12	O-RING	VITON	1
13	LOCK WASHER	SS304	1
14	STEM NUT	SS304	2
15	HANDLE	SS304	1
16	HANDLE LOCK	SS304	1
17	HANDLE COVER	PLASTIC	1
18	WASHER	SS304	1
19	STOP SCREW	SS304	1



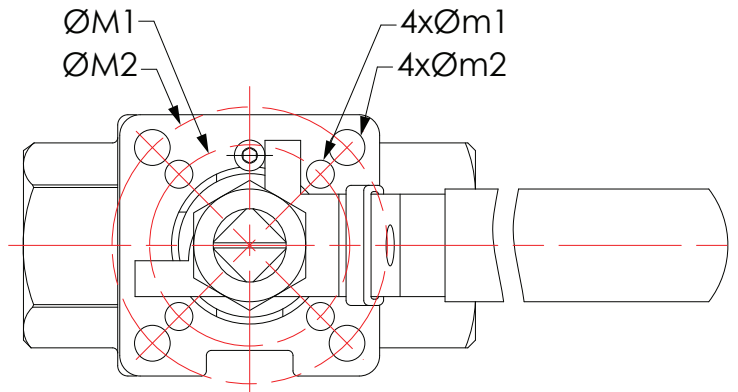
### SERIES 8100 2-PIECE BALL VALVE

[www.valvesolutions.com](http://www.valvesolutions.com)

## PRESSURE AND TEMPERATURE RATINGS



## DIMENSIONS AND WEIGHTS



SIZE	PORT	L	M1	m1	M2	m2	WEIGHT (lb)
1/2	0.59	2.56	1.42	0.22	1.97	0.26	0.65
3/4	0.79	2.99	1.42	0.22	1.97	0.26	1.45
1	0.98	3.46	1.97	0.26	2.76	0.35	2.36
1 1/4	1.26	3.82	1.97	0.26	2.76	0.35	3.50
1 1/2	1.50	4.33	1.97	0.26	2.76	0.35	4.85
2	2.00	5.28	1.97	0.26	2.70	0.35	7.30

## VALVE PART NUMBERS

1" S8100-S2H

VALVE SIZE

S-STAINLESS  
C-CARBON STEEL

### SERIES 8100 2-PIECE BALL VALVE