



# SERIES 2120 - 24V DCA

## 2 POSITION BELIMO DAMPER ELECTRIC ACTUATORS

### 2" - 5" RESILIENT SEATED BUTTERFLY VALVES

Rev. C

### SERIES 2120 BUTTERFLY VALVE

**SERVICE:** Chilled/Hot Water - 50% Glycol  
**FLOW CHARACTERISTIC:** Modified EQ%  
**SIZES:** 2" - 5"  
**BODY:** Ductile Iron ASTM A536  
**BODY COATING:** Fusion Bonded Epoxy  
**BODY PRESSURE RATING:** ASME/ANSI Class 125  
**WORKING PRESSURE:** 250 PSI for -22°F to 100°F  
**END FITTING:** Lugged ANSI Class 125/150 Flanged  
**DISC:** 304SS  
**STEM:** 416SS  
**SEAT:** EPDM  
**O-RING:** EPDM  
**BUSHING:** PTFE  
**CLOSE OFF:** 200 PSI  
**LEAKAGE:** Bubble Tight Shutoff  
**TEMPERATURE RANGE:** -22°F to 250°F  
**MAX FLUID VELOCITY:** 30 FPS



### DAMPER ACTUATORS

#### NEMA 2 PROTECTION

**POWER SUPPLY:** 24VAC ± 20% 50/60Hz  
 24VDC ± 10%

**TEMPERATURE RANGE:** -5°F to +125°F

**RUNTIME:** 75 to 150 sec

#### POWER CONSUMPTION

**AMB24-3:** 5.5VA / 2.5W

**AFB24:** 7.5VA / 5W

**GMB24-3:** 6VA / 4W

**EFB24:** 16VA / 9.5W

**GKX24-MFT:** 21VA / 12W

#### POWER CONNECTION

1/2" CONDUIT TO 3' CABLE (18 GA)

#### 2 POSITION - NON-SPRING RETURN

INCH	DN (MM)	Cv 60°	Cv 90°	VSI PN
2"	50	64	135	S2120SS-02/AMB24-3
2.5"	65	98	220	S2120SS-25/GMB24-3
3"	80	116	302	S2120SS-03/GMB24-3
4"	100	230	600	S2120SS-04/GMB24-3X2
5"	125	392	1022	S2120SS-05/GMB24-3X2

#### 2 POSITION - SPRING RETURN ACTUATORS

INCH	DN (MM)	Cv 60°	Cv 90°	VSI PN
2"	50	64	135	S2120SS-02/AFB24
2.5"	65	98	220	S2120SS-25/AFB24X2
3"	80	116	302	S2120SS-03/AFB24X2
4"	100	230	600	S2120SS-04/EFB24X2
5"	125	392	1022	S2120SS-05/GKX24-MFTX2

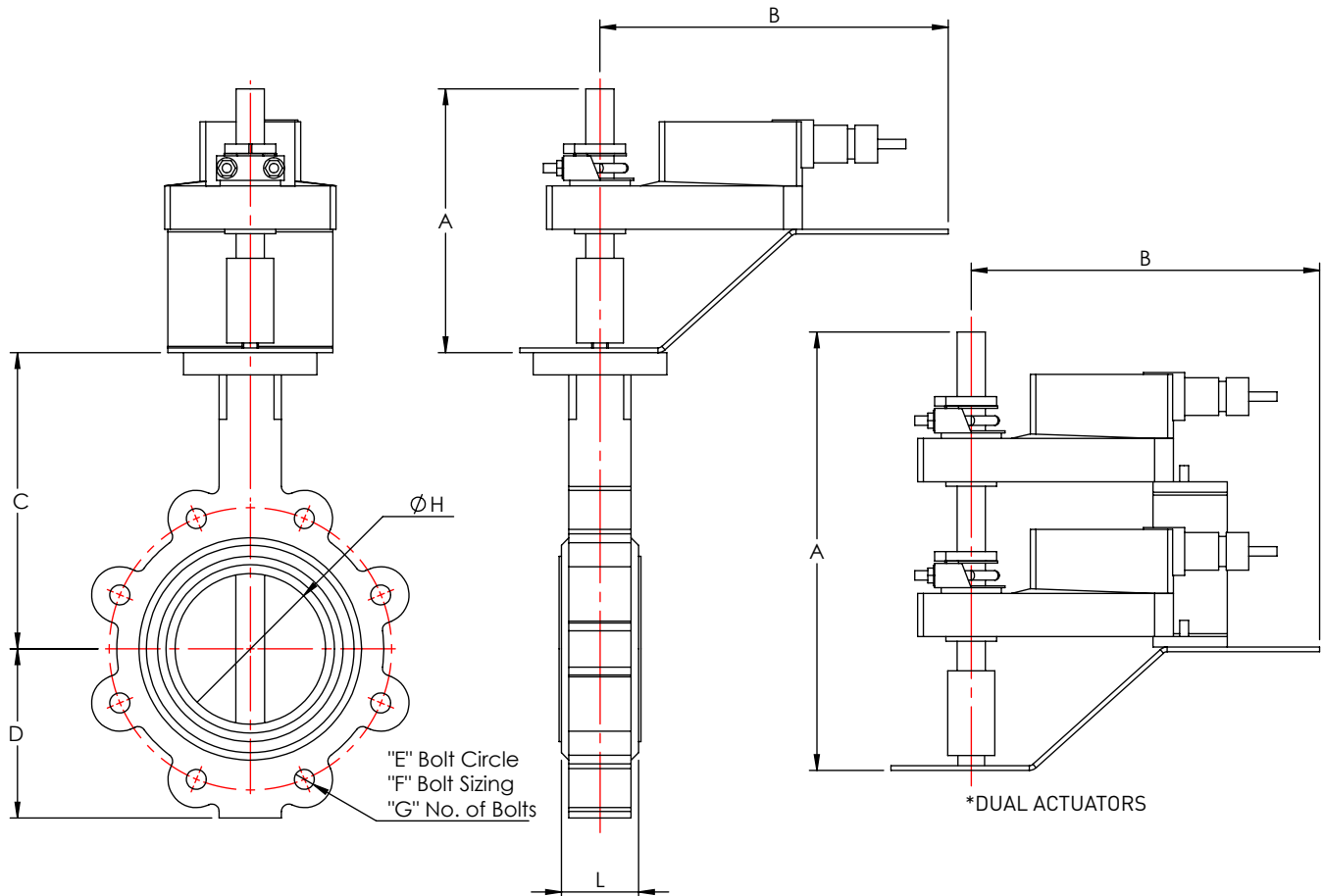
Please specify fail position when ordering.



# SERIES 2120 - 24V DCA

2 POSITION BELIMO DAMPER ELECTRIC ACTUATORS  
2" - 5" RESILIENT SEATED BUTTERFLY VALVES

## DIMENSIONAL INFORMATION



DIMENSIONS: mm(inches)

NON-SPRING RETURN ACTUATORS												
PSI	VALVE SIZE		ACTUATOR	A	B	C	D	E	F x G	H	L	
	INCH	DN										
200	2	50	AMB24-3	203.2 (8)	234.95 (9.25)	161 (6.34)	80 (3.15)	4.75	4 x 5/8 - 11	50.8 (2)	43 (1.69)	
	2.5	65	GMB24-3	203.2 (8)	234.95 (9.25)	175 (6.89)	89 (3.5)	5.5	4 x 5/8 - 11	63.5 (2.5)	46 (1.81)	
	3	75	GMB24-3	203.2 (8)	234.95 (9.25)	181 (7.13)	95 (3.74)	6	4 x 5/8 - 11	76.2 (3)	46 (1.81)	
	4	100	GMB24-3X2	342.9 (13.5)	234.95 (9.25)	200 (7.87)	114 (4.49)	7.5	8 x 5/8 - 11	101.6 (4)	52 (2.05)	
	5	125	GMB24-3X2	342.9 (13.5)	234.95 (9.25)	226 (8.9)	127 (5)	8.5	8 x 3/4 - 10	127 (5)	56 (2.2)	
	SPRING RETURN ACTUATORS											
	2	50	AFB24	203.2 (8)	234.95 (9.25)	161 (6.34)	80 (3.15)	4.75	4 x 5/8 - 11	50.8 (2)	43 (1.69)	
	2.5	65	AFB24X2	342.9 (13.5)	234.95 (9.25)	175 (6.89)	89 (3.5)	5.5	4 x 5/8 - 11	63.5 (2.5)	43 (1.69)	
	3	75	AFB24X2	342.9 (13.5)	234.95 (9.25)	181 (7.13)	95 (3.74)	6	4 x 5/8 - 11	76.2 (3)	43 (1.69)	
	4	100	EFB24X2	342.9 (13.5)	234.95 (9.25)	200 (7.87)	114 (4.49)	7.5	8 x 5/8 - 11	101.6 (4)	52 (2.05)	
5	125	GKX24-MFTX2	342.9 (13.5)	234.95 (9.25)	226 (8.9)	127 (5)	8.5	8 x 3/4 - 10	127 (5)	56 (2.2)		