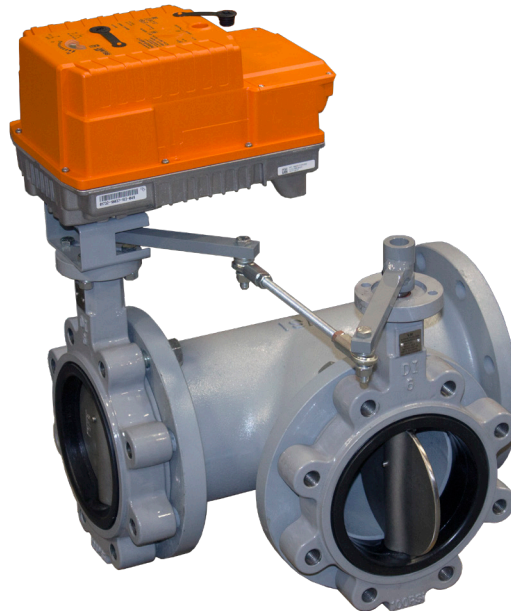


## SERIES 2110 BUTTERFLY VALVE

**SERVICE:** Chilled/Hot Water - 50% Glycol  
**FLOW CHARACTERISTIC:** Modified EQ%  
**SIZES:** 6" - 8"  
**BODY:** Ductile Iron ASTM A536  
**BODY COATING:** Fusion Bonded Epoxy  
**BODY PRESSURE RATING:** ASME/ANSI Class 125  
**END FITTING:** Lugged ANSI Class 125/150 Flanged  
**DISC:** 304SS  
**STEM:** 416SS  
**SEAT:** EPDM  
**O-RING:** EPDM  
**BUSHING:** PTFE  
**CLOSE OFF:** 200 PSI  
**LEAKAGE:** Bubble Tight Shutoff  
**TEMPERATURE RANGE:** -22°F to 250°F  
**MAX FLUID VELOCITY:** 30 FPS

## PKRBUP-MFT-T

**NEMA 4X, IP66/67**  
**ELECTRIC FAIL-SAFE**  
**POWER SUPPLY:** UNIVERSAL  
 24...240VAC ± 20% 50/60Hz  
 24...125VDC ± 10%  
**POWER CONSUMPTION HOLDING:** 7 W @ 24V  
 8 W @ 120V  
 9 W @ 230V  
**TRANSFORMER SIZING:** 55 VA @ 24 VAC/DC  
 43 VA @ 120 VAC/DC  
 68 VA @ 230 VAC  
**ELECTRICAL CONNECTION:** TERMINAL BLOCK  
**TEMPERATURE RANGE:** -5°F to +125°F  
**RUNTIME(MOTOR):** 35 SEC  
**MULTI-FUNCTION SETTINGS:** ON/OFF,  
 MODULATING  
 FLOATING  
**OVERLOAD PROTECTION:** ELECTRONIC THROUGHOUT  
 0° TO 90° ROTATION  
**AUXILIARY SWITCH:** 2 x SPDT  
 3A RESISTIVE @ 250 VAC  
 ONE SET AT 10°  
 ONE ADJUSTABLE 0° TO 90°  
**PASSIVE SENSOR INPUTS:** 2 (PT1000) (NI1000) (NTC)



Cv AND TORQUE					
INCH	DN (MM)	Cv 60°	Cv 90°	VSI PN	WEIGHT(LB)
6"	150	605	1579	3S2120SS-06/PKRBUP-MFT-T	137
8"	200	1202	3136	3S2120SS-08/PKRBUP-MFT-T	207

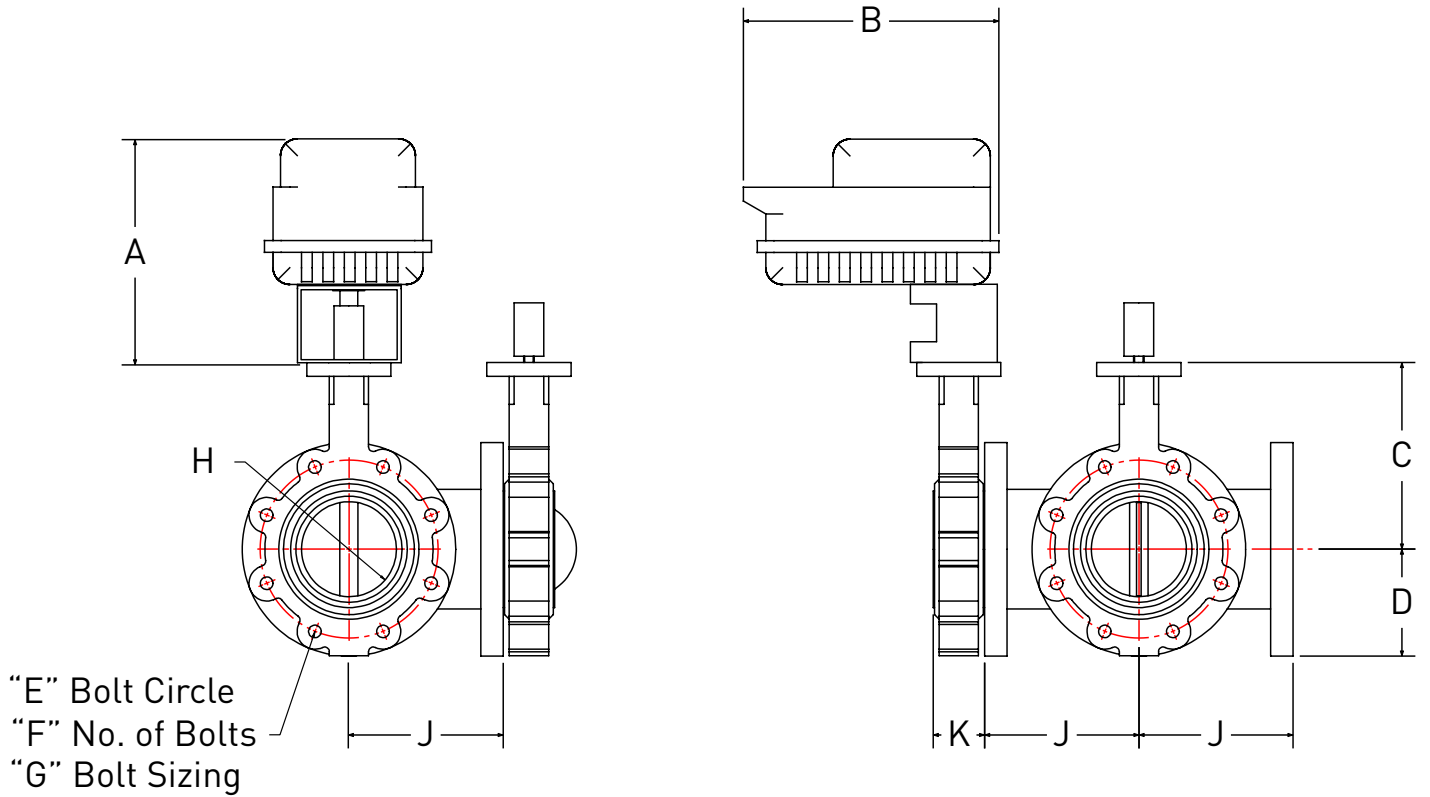
Please specify fail position when ordering.



# SERIES 2120 - PKRBUP-MFT-T

24-240V BELIMO ELECTRIC FAIL SAFE ACTUATOR  
3 WAY 6" - 8" RESILIENT SEATED BUTTERFLY VALVES

## DIMENSIONAL INFORMATION



Dimensions: mm(Inches)

	VALVE SIZE		ACTUATOR	A	B	C	E	F x G	H	J	K
	INCH	DN									
200 PSI	6	150	PKRBUP-MFT-T	254 (10)	303.5 (11.95)	226 (8.898)	241.3 (9.5)	8 - ¾-10	152.4 (6)	203.2 (8)	56 (2.205)
	8	200	PKRBUP-MFT-T	254 (10)	303.5 (11.95)	260 (10.236)	298.4 (11.748)	8 - ¾-10	203.2 (8)	228.6 (9)	60 (2.362)