



SERIES 2120 - 24V DCA

2 POSITION JOHNSON CONTROLS DAMPER ELECTRIC ACTUATORS
3 WAY 2" - 4" RESILIENT SEATED BUTTERFLY VALVES

Rev. B

SERIES 2120 BUTTERFLY VALVE

SERVICE: Chilled/Hot Water - 50% Glycol
FLOW CHARACTERISTIC: Modified EQ%
SIZES: 2" - 5"
BODY: Ductile Iron ASTM A536
BODY COATING: Fusion Bonded Epoxy
BODY PRESSURE RATING: ASME/ANSI Class 125
WORKING PRESSURE: 250 PSI for -22°F to 100°F
END FITTING: Lugged ANSI Class 125/150 Flanged
DISC: 304SS
STEM: 416SS
SEAT: EPDM
O-RING: EPDM
BUSHING: PTFE
CLOSE OFF: 200 PSI
LEAKAGE: Bubble Tight Shutoff
TEMPERATURE RANGE: -22°F to 250°F

DAMPER ACTUATORS

NEMA 2 PROTECTION
POWER SUPPLY: 24VAC ± 20% 50/60Hz
 24VDC ± 10%
TEMPERATURE RANGE: -5°F to +125°F
RUNTIME: 75 to 150 sec

POWER CONSUMPTION
M9116-AGA-1: 6.5VA **M9220-BGA-3:** 25VA / 17.6W
M9132-AGA-2: 7.5VA

POWER CONNECTION
 1/2" CONDUIT TO 3' CABLE (18 GA)



| 2 POSITION - NON-SPRING RETURN | | | | |
|--------------------------------------|---------|--------|--------|---------------------------|
| INCH | DN (MM) | Cv 60° | Cv 90° | VSI PN |
| 2" | 50 | 64 | 135 | 3S2120SS-02/M9116-AGA-2 |
| 2.5" | 65 | 98 | 220 | 3S2120SS-25/M9132-AGA-2 |
| 3" | 80 | 116 | 302 | 3S2120SS-03/M9132-AGA-2X2 |
| 4" | 100 | 230 | 600 | 3S2120SS-04/M9132-AGA-2X2 |
| 2 POSITION - SPRING RETURN ACTUATORS | | | | |
| INCH | DN (MM) | Cv 60° | Cv 90° | VSI PN |
| 2" | 50 | 64 | 135 | 3S2120SS-02/M9220-BGA-3 |
| 2.5" | 65 | 98 | 220 | 3S2120SS-25/M9220-BGA-3X2 |
| 3" | 80 | 116 | 302 | 3S2120SS-03/M9220-BGA-3X2 |

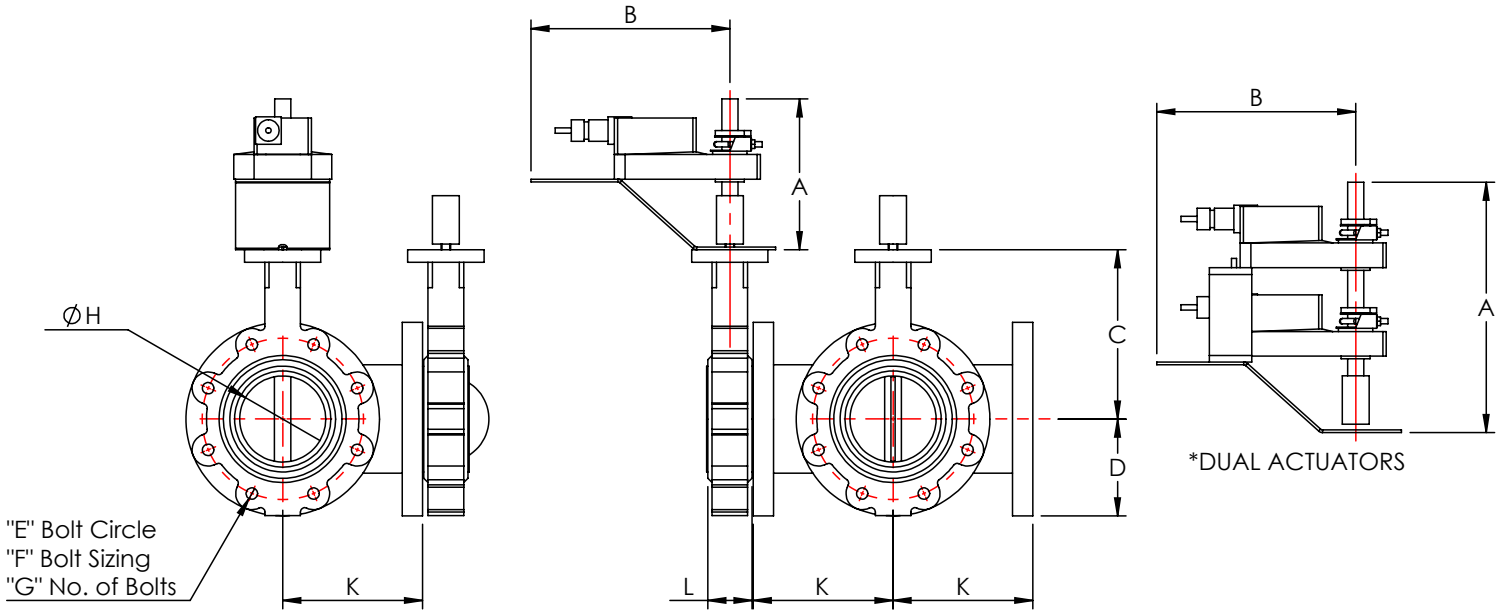
Please specify fail position when ordering.



SERIES 2120 - 24V DCA

2 POSITION JOHNSON CONTROLS DAMPER ELECTRIC ACTUATORS 3 WAY 2" - 4" RESILIENT SEATED BUTTERFLY VALVES

DIMENSIONAL INFORMATION



Dimensions: mm(Inches)

| NON-SPRING RETURN ACTUATORS | | | | | | | | | | | | |
|-----------------------------|------------|-----|---------------|----------------|---------------|------------|------------|------|--------------|------------|-------------|-----------|
| PSI | VALVE SIZE | | ACTUATOR | A | B | C | D | E | F x G | H | K | L |
| | INCH | DN | | | | | | | | | | |
| 200 | 2 | 50 | M9116-AGA-2 | 177.8 (7) | 234.95 (9.25) | 161 (6.34) | 80 (3.15) | 4.75 | 4 x 5/8 - 11 | 50.8 (2) | 114.3 (4.5) | 43 (1.69) |
| | 2.5 | 65 | M9132-AGA-2 | 177.8 (7) | 234.95 (9.25) | 175 (6.89) | 89 (3.5) | 5.5 | 4 x 5/8 - 11 | 63.5 (2.5) | 127 (5) | 46 (1.81) |
| | 3 | 75 | M9132-AGA-2X2 | 285.75 (11.25) | 234.95 (9.25) | 181 (7.13) | 95 (3.74) | 6 | 4 x 5/8 - 11 | 76.2 (3) | 139.7 (5.5) | 46 (1.81) |
| | 4 | 100 | M9132-AGA-2X2 | 285.75 (11.25) | 234.95 (9.25) | 200 (7.87) | 114 (4.49) | 7.5 | 8 x 5/8 - 11 | 101.6 (4) | 165.1 (6.5) | 52 (2.05) |
| SPRING RETURN ACTUATORS | | | | | | | | | | | | |
| 200 | 2 | 50 | M9220-BGA-3 | 177.8 (7) | 234.95 (9.25) | 161 (6.34) | 80 (3.15) | 4.75 | 4 x 5/8 - 11 | 50.8 (2) | 114.3 (4.5) | 43 (1.69) |
| | 2.5 | 65 | M9220-BGA-3X2 | 285.75 (11.25) | 234.95 (9.25) | 175 (6.89) | 89 (3.5) | 5.5 | 4 x 5/8 - 11 | 63.5 (2.5) | 127 (5) | 43 (1.69) |
| | 3 | 75 | M9220-BGA-3X2 | 285.75 (11.25) | 234.95 (9.25) | 181 (7.13) | 95 (3.74) | 6 | 4 x 5/8 - 11 | 76.2 (3) | 139.7 (5.5) | 43 (1.69) |