



SERIES 2110 - SERIES C

SPRING RETURN HIGH PRESSURE PNEUMATIC ACTUATORS
3-WAY 2" - 20" RESILIENT SEATED BUTTERFLY VALVES

SERIES 2110 BUTTERFLY VALVE

SERVICE: Chilled/Hot Water - 50% Glycol
FLOW CHARACTERISTIC: Modified EQ%
SIZES: 2" - 20"
BODY: Ductile Iron ASTM A536
BODY COATING: Fusion Bonded Epoxy
BODY PRESSURE RATING: ASME/ANSI Class 125
WORKING PRESSURE: 250 PSI for -22°F to 100°F
END FITTING: Lugged ANSI Class 125/150 Flanged
DISC: 304SS
STEM: 416SS
SEAT: EPDM
O-RING: EPDM
BUSHING: PTFE
CLOSE OFF: 100 PSI
LEAKAGE: Bubble Tight Shutoff
TEMPERATURE RANGE: -22°F to 250°F
MAX FLUID VELOCITY: 30 FPS

ASCO 8551 Direct Mount Solenoid

Watt Rating and Power Consumption

DC Watts	AC Watts	VA Holding	VA Inrush
6.9	6.3	7	10.1

Temperature Range: AC 5°F to 140°F (-15°C to 60°C)
DC 5°F to 77°F (-15°C to 25°C)

ALS-100 Limit Switch (Optional)

Position Indicator	Polycarbonate Dome
Switches	2x SPDT 5A 125-250 VAC micro-switches
Terminal Strip	Standard 8 Points
Cable Entry	2x 1/2" NPT
Mounting	NAMUR Standard shaft and bracket

VRC Model V Series Positioner

VP - Pneumatic 3-15 PSI
VE - Electro-Pneumatic 4-20mA (Optional)

Position Indicator: Flat Lens
Dome Lens (Optional)

PERFORMANCE

RESOLUTION	0.25% Maximum 0.10% Typical
REPEATABILITY	99.75% Minimum 99.90% Typical
HYSTERESIS	0.50% Maximum 0.25% Typical
LINEARITY	+/- 1.0% Maximum
GAIN @80 PSIG	250 Single-Acting 500 Double-Acting
AIR CONSUMPTION @80 PSIG	0.25 SCFM Standard Flow Spool Valve 0.45 SCFM Maximum Flow Spool Valve
TEMPERATURE RANGE	-40 to 150F / -40 to 65C

SERIES C ACTUATOR

Rev. C

MINIMUM AIR SUPPLY: 40 psi
MAXIMUM AIR SUPPLY: 130 psi
TORQUE RANGE: 124 - 40519 in/lb (~80 psi)
HOUSING: Die Cast Aluminum Alloy
TEMPERATURE: 0°C to +80°C
 -20°C to +80°C with dry air
 -40°C to +150°C in special execution
OPERATING MEDIA: Compressed filtered air
Standard NAMUR mounts for optional accessories
SPRING RETURN OPERATION (SR)

FAIL CCW

Air is supplied to Port A forcing the pistons away from each other (towards ends), rotating the drive pinion counter-clockwise, compressing the springs and exhausting air out of Port B

FAIL CW

Air failure (loss of pressure) allows the compressed springs to force the pistons toward each other (towards center), rotating the drive pinion clockwise and exhausting air out of Port A



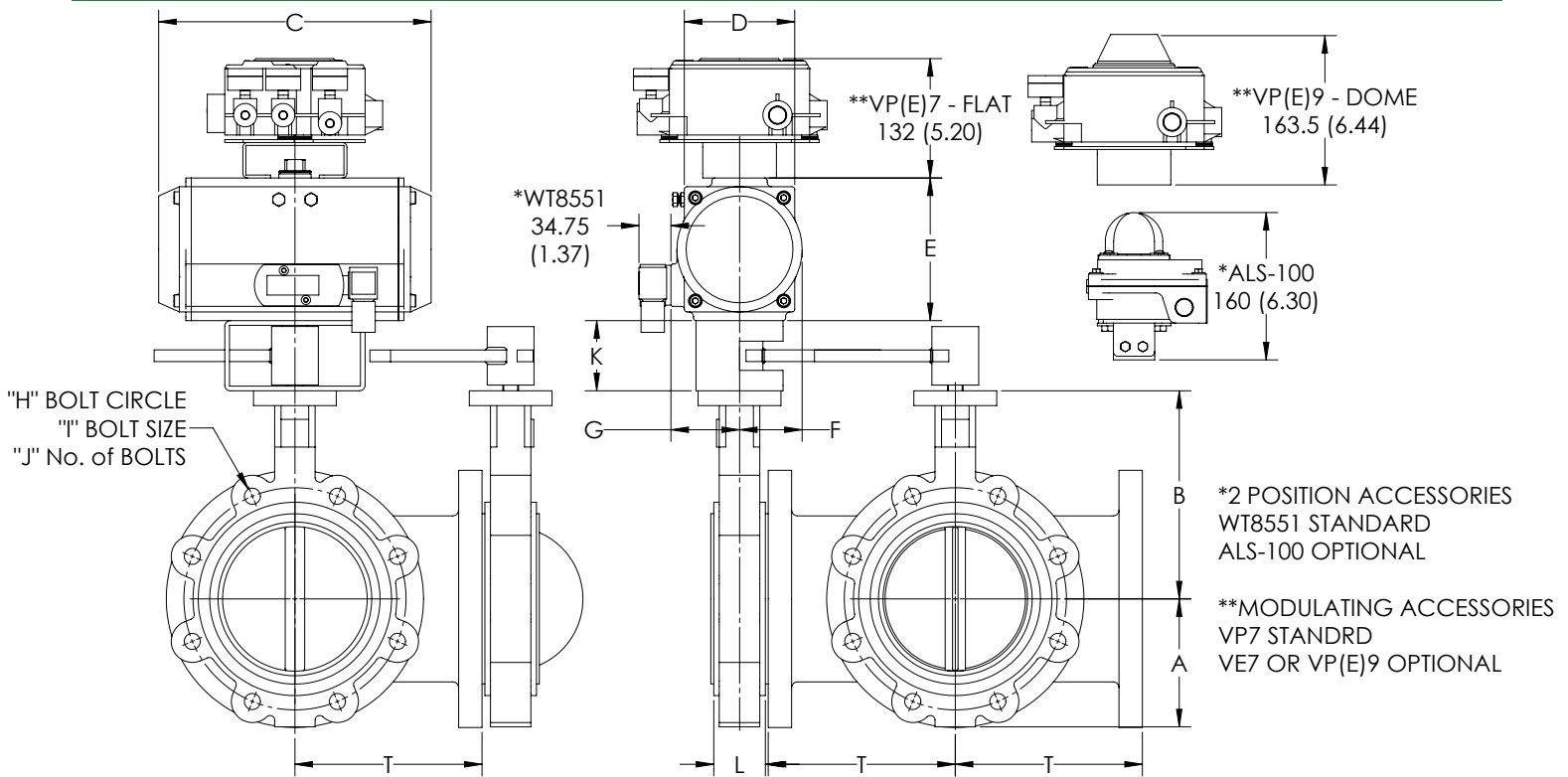
Modulating Configuration



SERIES 2110 - SERIES C

SPRING RETURN HIGH PRESSURE PNEUMATIC ACTUATORS 3-WAY 2" - 20" RESILIENT SEATED BUTTERFLY VALVES

DIMENSIONAL INFORMATION



DIMENSIONS: MM (INCHES)

PSI	VALVE SIZE		ACTUATOR	A	B	H	J x I	L	K	C	D	E	F	G	T
	INCH	DN													
100 PSI	2	50	C-SR063	80 (3.15)	161 (6.34)	4.75	4 x 5/8 - 11	43 (1.69)	50.8 (2.00)	168 (6.61)	72 (2.83)	87.5 (3.44)	36 (1.42)	47 (1.85)	114.3 (4.50)
	2.5	65	C-SR083	89 (3.50)	175 (6.89)	5.5	4 x 5/8 - 11	46 (1.81)	50.8 (2.00)	204 (8.03)	92 (3.62)	108.7 (4.28)	46 (1.81)	57 (2.24)	127 (5.00)
	3	75	C-SR083	95 (3.74)	181 (7.13)	6	4 x 5/8 - 11	46 (1.81)	50.8 (2.00)	204 (8.03)	92 (3.62)	108.7 (4.28)	46 (1.81)	57 (2.24)	139.7 (5.50)
	4	100	C-SR092	114 (4.49)	200 (7.87)	7.5	8 x 5/8 - 11	52 (2.05)	50.8 (2.00)	262 (10.31)	98 (3.86)	116.5 (4.59)	50 (1.97)	58.5 (2.30)	165.1 (6.50)
	5	125	C-SR105	127 (5.00)	213 (8.39)	8.5	8 x 3/4 - 10	56 (2.20)	50.8 (2.00)	268 (10.55)	109.5 (4.31)	133 (5.24)	57.5 (2.26)	64 (2.52)	190.5 (7.50)
	6	150	C-SR125	139 (5.47)	226 (8.90)	9.5	8 x 3/4 - 10	56 (2.20)	50.8 (2.00)	301 (11.85)	127.5 (5.02)	155 (6.10)	67.5 (2.66)	74.5 (2.93)	203.2 (8.00)
	8	200	C-SR140	175 (6.89)	260 (10.24)	11.75	8 x 3/4 - 10	60 (2.36)	76.2 (3.00)	390 (15.35)	137.5 (5.41)	172 (6.77)	75 (2.95)	77 (3.03)	228.6 (9.00)
	10	250	C-SR140	203 (7.99)	292 (11.50)	14.25	12 x 7/8 - 9	68 (2.68)	76.2 (3.00)	390 (15.35)	137.5 (5.41)	172 (6.77)	75 (2.95)	77 (3.03)	279.4 (11.00)
	12	300	C-SR160	242 (9.53)	337 (13.27)	17	12 x 7/8 - 9	78 (3.07)	76.2 (3.00)	458 (18.03)	158 (6.22)	197 (7.76)	87 (3.43)	87 (3.43)	304.8 (12.00)
	14	350	C-SR190	267 (10.51)	368 (14.49)	18.75	12 x 1 - 8	78 (3.07)	76.2 (3.00)	525 (20.67)	189 (7.44)	230 (9.06)	103 (4.06)	103 (4.06)	355.6 (14.00)
	16	400	C-SR240	297 (11.69)	400 (15.75)	21.25	16 x 1 - 8	102 (4.02)	152.4 (6.00)	602 (23.70)	245 (9.65)	319 (12.56)	130 (5.12)	130 (5.12)	381 (15.00)
	18	450	C-SR270	318 (12.52)	422 (16.61)	22.75	16 x 1 1/8 - 7	114 (4.49)	152.4 (6.00)	722 (28.43)	273 (10.75)	326 (12.83)	147 (5.79)	147 (5.79)	419.1 (16.50)
	20	500	C-SR300	348 (13.70)	480 (18.90)	25	20 x 1 1/8 - 7	127 (5.00)	152.4 (6.00)	742 (29.21)	324 (12.75)	348 (13.70)	162 (6.38)	162 (6.38)	457.2 (18.00)