



SERIES 2120 - SERIES C

DIRECT ACTING HIGH PRESSURE PNEUMATIC ACTUATORS 3-WAY 2" - 20" RESILIENT SEATED BUTTERFLY VALVES

SERIES 2120 BUTTERFLY VALVE

SERVICE: Chilled/Hot Water - 50% Glycol
FLOW CHARACTERISTIC: Modified EQ%
SIZES: 2" - 20"
BODY: Ductile Iron ASTM A536
BODY COATING: Fusion Bonded Epoxy
BODY PRESSURE RATING: ASME/ANSI Class 125
WORKING PRESSURE: 250 PSI for -22°F to 100°F
END FITTING: Lugged ANSI Class 125/150 Flanged
DISC: 304SS
STEM: 416SS
SEAT: EPDM
O-RING: EPDM
BUSHING: PTFE
CLOSE OFF: 200 PSI (2"-12") or 150 PSI (14"-20")
LEAKAGE: Bubble Tight Shutoff
TEMPERATURE RANGE: -22°F to 250°F
MAX FLUID VELOCITY: 30 FPS

SERIES C ACTUATOR

Rev. C

MINIMUM AIR SUPPLY: 40 psi
MAXIMUM AIR SUPPLY: 130 psi
TORQUE RANGE: 124 - 40519 in/lb (~80 psi)
HOUSING: Die Cast Aluminum Alloy
TEMPERATURE: 0°C to +80°C
 -20°C to +80°C with dry air
 -40°C to +150°C in special execution
OPERATING MEDIA: Compressed filtered air
Standard NAMUR mounts for optional accessories

DOUBLE ACTING OPERATION (DA)

CCW

Air is supplied to Port A forcing the pistons away from each other (towards ends), rotating the drive pinion counter-clockwise and exhausting air out of Port B

CW

Air is supplied to Port B forcing the pistons toward each other (towards center), rotating the drive pinion clockwise and exhausting air out of Port A

ASCO 8551 Direct Mount Solenoid

Watt Rating and Power Consumption

DC Watts	AC Watts	VA Holding	VA Inrush
6.9	6.3	7	10.1

Temperature Range: AC 5°F to 140°F (-15°C to 60°C)
 DC 5°F to 77°F (-15°C to 25°C)

ALS-100 Limit Switch (Optional)

Position Indicator	Polycarbonate Dome
Switches	2x SPDT 5A 125-250 VAC micro-switches
Terminal Strip	Standard 8 Points
Cable Entry	2x 1/2" NPT
Mounting	NAMUR Standard shaft and bracket

VRC Model V Series Positioner

VP - Pneumatic 3-15 PSI
VE - Electro-Pneumatic 4-20mA (Optional)

Position Indicator: Flat Lens
 Dome Lens (Optional)

PERFORMANCE

RESOLUTION	0.25% Maximum 0.10% Typical
REPEATABILITY	99.75% Minimum 99.90% Typical
HYSTERESIS	0.50% Maximum 0.25% Typical
LINEARITY	+/- 1.0% Maximum
GAIN @80 PSIG	250 Single-Acting 500 Double-Acting
AIR CONSUMPTION @80 PSIG	0.25 SCFM Standard Flow Spool Valve 0.45 SCFM Maximum Flow Spool Valve
TEMPERATURE RANGE	-40 to 150F / -40 to 65C



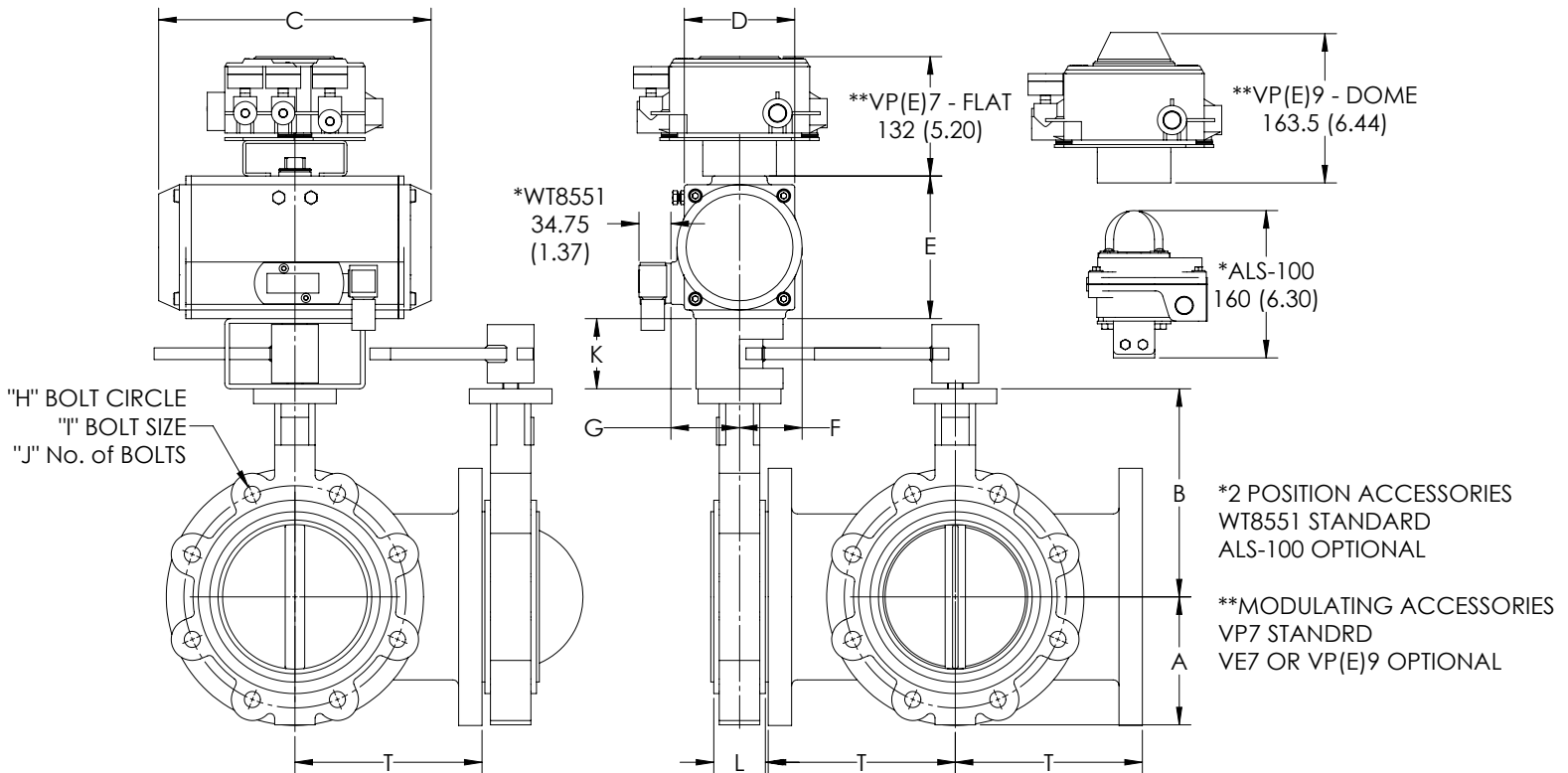
2 Position Configuration
 Shown with optional limit switch



SERIES 2120 - SERIES C

DIRECT ACTING HIGH PRESSURE PNEUMATIC ACTUATORS
3-WAY 2" - 20" RESILIENT SEATED BUTTERFLY VALVES

DIMENSIONAL INFORMATION



DIMENSIONS: MM (INCHES)

PSI	VALVE SIZE		ACTUATOR	A	B	H	J x I	L	K	C	D	E	F	G	T
	INCH	DN													
100 PSI	2	50	C-DA063	80 (3.15)	161 (6.34)	4.75	4 x 5/8 - 11	43 (1.69)	50.8 (2.00)	168 (6.61)	72 (2.83)	87.5 (3.44)	36 (1.42)	47 (1.85)	114.3 (4.50)
	2.5	65	C-DA063	89 (3.50)	175 (6.89)	5.5	4 x 5/8 - 11	46 (1.81)	50.8 (2.00)	168 (6.61)	72 (2.83)	87.5 (3.44)	36 (1.42)	47 (1.85)	127 (5.00)
	3	75	C-DA083	95 (3.74)	181 (7.13)	6	4 x 5/8 - 11	46 (1.81)	50.8 (2.00)	204 (8.03)	92 (3.62)	108.7 (4.28)	46 (1.81)	57 (2.24)	139.7 (5.50)
	4	100	C-DA083	114 (4.49)	200 (7.87)	7.5	8 x 5/8 - 11	52 (2.05)	50.8 (2.00)	204 (8.03)	92 (3.62)	108.7 (4.28)	46 (1.81)	57 (2.24)	165.1 (6.50)
	5	125	C-DA092	127 (5.00)	213 (8.39)	8.5	8 x 3/4 - 10	56 (2.20)	50.8 (2.00)	262 (10.31)	98 (3.86)	116.5 (4.59)	50 (1.97)	58.5 (2.30)	190.5 (7.50)
	6	150	C-DA105	139 (5.47)	226 (8.90)	9.5	8 x 3/4 - 10	56 (2.20)	50.8 (2.00)	268 (10.55)	109.5 (4.31)	133 (5.24)	57.5 (2.26)	64 (2.52)	203.2 (8.00)
	8	200	C-DA125	175 (6.89)	260 (10.24)	11.75	8 x 3/4 - 10	60 (2.36)	76.2 (3.00)	301 (11.85)	127.5 (5.02)	155 (6.10)	67.5 (2.66)	74.5 (2.93)	228.6 (9.00)
	10	250	C-DA140	203 (7.99)	292 (11.50)	14.25	12 x 7/8 - 9	68 (2.68)	76.2 (3.00)	390 (15.35)	137.5 (5.41)	172 (6.77)	75 (2.95)	77 (3.03)	279.4 (11.00)
	12	300	C-DA160	242 (9.53)	337 (13.27)	17	12 x 7/8 - 9	78 (3.07)	76.2 (3.00)	458 (18.03)	158 (6.22)	197 (7.76)	87 (3.43)	87 (3.43)	304.8 (12.00)
200 PSI	14	350	C-DA190	267 (10.51)	368 (14.49)	18.75	12 x 1 - 8	78 (3.07)	76.2 (3.00)	525 (20.67)	189 (7.44)	230 (9.06)	103 (4.06)	103 (4.06)	355.6 (14.00)
	16	400	C-DA210	297 (11.69)	400 (15.75)	21.25	16 x 1 - 8	102 (4.02)	152.4 (6.00)	532 (20.94)	210 (8.27)	255 (10.04)	113 (4.45)	113 (4.45)	381 (15.00)
	18	450	C-DA240	318 (12.52)	422 (16.61)	22.75	16 x 1 1/8 - 7	114 (4.49)	152.4 (6.00)	602 (23.70)	245 (9.65)	319 (12.56)	130 (5.12)	130 (5.12)	419.1 (16.50)
	20	500	C-DA270	348 (13.70)	480 (18.90)	25	20 x 1 1/8 - 7	127 (5.00)	152.4 (6.00)	722 (28.43)	273 (10.75)	326 (12.83)	147 (5.79)	147 (5.79)	457.2 (18.00)