



GLOBE VALVE - 24V DCA

MODULATING BELIMO DAMPER ELECTRIC ACTUATORS

2½" - 6" IRON BODY/BRONZE TRIM, FLANGED CL125, MIXING GLOBE VALVES

3-WAY GLOBE VALVE



SERVICE: MIXING
BODY RATING: ANSI 125
BODY: CAST IRON
BODY TRIM: BRONZE
STEM: STAINLESS STEEL ASTM A582 TYPE 303
PACKING: NORMAL DUTY (EPDM O-RING)
VALVE ACTION: NORMALLY CLOSED
FLOW CHARACTERISTIC: EQUAL PERCENTAGE
RANGEABILITY: >100:1
LEAKAGE RATE: CLASS IV
CONTROLLED MEDIUM: WATER,
 50% WATER-GLYCOL SOLUTIONS
MEDIUM TEMP RANGE: 20°F to 250°F (-7°C to 120°C)
MAXIMUM DIFFERENTIAL PRESSURE: 25 psi (173 kPa)
MAXIMUM INLET PRESSURE:

TEMP - °F (°C)		PRESSURE - psig (kPa)	
°F	(°C)	psig	(kPa)
-20 to 150	(-30 to 66)	200	(1387)
+200	(93)	190	(1310)
+250	(121)	175	(1206)

DAMPER ACTUATORS

NEMA 2 PROTECTION (OPTIONAL NEMA 4 PROTECTION AVAILABLE)

POWER SUPPLY: 24VAC ± 20% 50/60Hz
 24VDC ± 10%

TEMPERATURE RANGE: -5°F to +125°F

RUNTIME: 75 to 150 sec

POWER CONSUMPTION

AMB24-SR: 5VA / 2.5W

EFB24: 14VA/8W

GMB24-SR: 6.5VA / 4.5W (Each)

EFB24-MFT: 16VA/9.5W (Each)

AFB24: 8.5VA / 5.5W

GKB24: 21VA/12W

POWER CONNECTION

1/2" CONDUIT TO 3' CABLE (18 GA)

3-WAY GLOBE VALVES - BRONZE TRIM - WITH BELIMO FLOATING / 2 POSITION ACTUATORS

VALVE SIZE		2.5 INCH	3 INCH	4 INCH	5 INCH	6 INCH
Cv		63	100	160	250	400
MODEL #		599-06160	599-06161	599-06162	599-06163	599-06164
NON SPRING RETURN	AMB24-SR	55 PSI				
	GMB24-SR	110 PSI	76 PSI	21 PSI		
	GMB24-SR(x2)*		105 PSI	40 PSI	35 PSI	25 PSI
SPRING RETURN	AFB24-SR	55 PSI				
	EFB24-SR	90 PSI	65 PSI	20 PSI		
	EFB24-MFT(x2)*			35 PSI	20 PSI	15 PSI
FAIL-SAFE	GKB24-SR	120 PSI	85 PSI	25 PSI		

^ Maximum Close-off Pressure Listed in Table

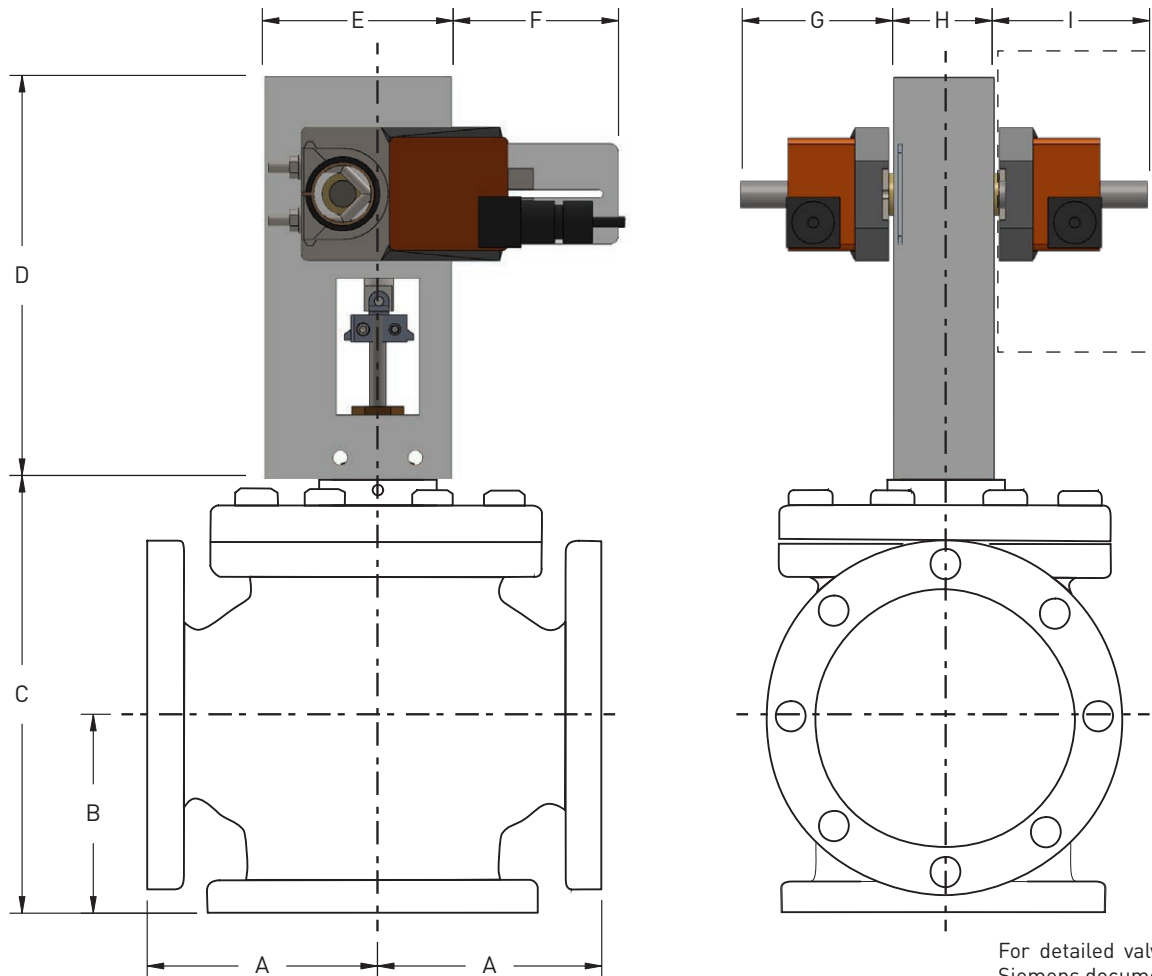
* Units with asterisk utilize two actuators



GLOBE VALVE - 24V DCA

MODULATING BELIMO DAMPER ELECTRIC ACTUATORS

2½" - 6" IRON BODY/BRONZE TRIM, FLANGED CL125, MIXING GLOBE VALVES



For detailed valve dimensions see Siemens document 155-160P25

Dimensions

VALVE		A	B	C	D	E	F	G	H	I
2.5"	AMB24	5-7/16	3-3/4	9-3/8	9-1/2	4-3/8	6-1/16	4	2-1/4	-
	GMB24									
	AFB24									
	GKB24									
3"	EFB24	5 7/8	4 3/8	10 3/4	9-1/2	4-3/8	6-1/16	4	2-1/4	-
	GKB24									
	GMB24(x2)									
	GMB24	11	4-3/8	6-1/16	4	2-1/4	4			
4"	GMB24	6 15/16	5 1/8	12 1/2	11	4-3/8	6-1/16	4	2-1/4	-
	EFB24									
	GKB24									4
	GMB24(x2)									
5"	EFB24(x2)	7 7/8	5 3/4	13 3/4	11	4-3/8	6-1/16	4	2-1/4	4
	GMB24(x2)									
6"	GMB24(x2)	8 7/8	6 5/8	15 1/2	11	4-3/8	6-1/16	4	2-1/4	4
	EFB24(x2)									

Inches