



SERIES V - SERIES 1000-X

INDUSTRIAL 2 POSITION ELECTRIC ACTUATORS
1" - 6" HIGH PERFORMANCE SEGMENTED BALL VALVES

REV. B

SERIES V BALL VALVE

SERVICE: Chilled/Hot Water - 50% Glycol
Steam: 125 psi

FLOW CHARACTERISTIC: Equal %

SIZES: 1" - 6"

BODY: Carbon Steel / Stainless Steel Optional

BALL: 304SS

SHAFT: 304SS

SEAT: TFM 1700

O-RING: ALFAS

BEARING: PEEK

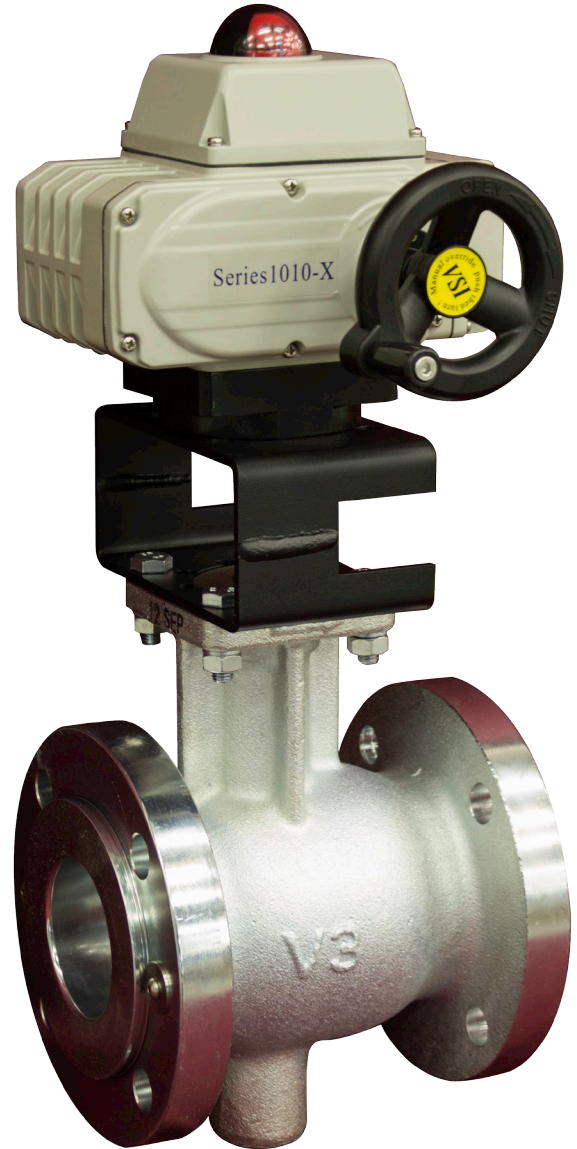
TEMPERATURE RANGE: -20°F to 400°F

CLOSE OFF: 250PSI

END CONNECTIONS:

1" - 2" : NPT/Wafer ANSI 150/300

3" - 6" : ANSI 150 Flanged or ANSI 300 Flanged



SERIES 1000-X 2 POSITION ACTUATOR

MOTOR: 120V or 24V Single Phase - 60Hz

TORQUE RANGE: 443 - 885 in/lbs

HOUSING: Die Cast Aluminum - NEMA 4

PROTECTION: Thermal Overload Protection

LIMIT SWITCHES: 4x SPDT Open/Closed

POSITION INDICATOR: Mechanical Dome

CONDUIT ENTRIES: 2 x 1/2" NPT

POWER GEARS: Alloy Steel and Aluminum Bronze

BEARINGS: Alloy Steel Sleeve and Ball Bearings

CERTIFICATIONS: CE, NRTL, NEMA 4, CSA File 226201

INTERNAL HEATER: Standard

MANUAL OVERRIDE POWER SWITCH:

Not available on 1005 and all 24V models

MANUAL OVERRIDE: Allen Handle Standard

Optional Handwheel not available on 1005

SERIES 1000-X SPECIFICATIONS - 2 POSITION

MODEL	1005-X	1010-X
Output Torque (in-lb)	443	885
Output Torque (Nm)	50	100
Duty Cycle	80%	80%
Travel Speed @ 60Hz (Sec)	20	30
Max Current (Amp @ 110/220VAC)	0.34/0.17	0.81/0.47
Run Current (AMP @ 110/220VAC)	0.24/0.16	0.57/0.30
Max Current (Amp @ 24VAC)	1.60	1.90
Run Current (Amp @ 24VAC)	1.40	1.70
Enclosure Rating	WATERTIGHT NEMA 4	

SERIES V with 2 POSITION ACTUATORS

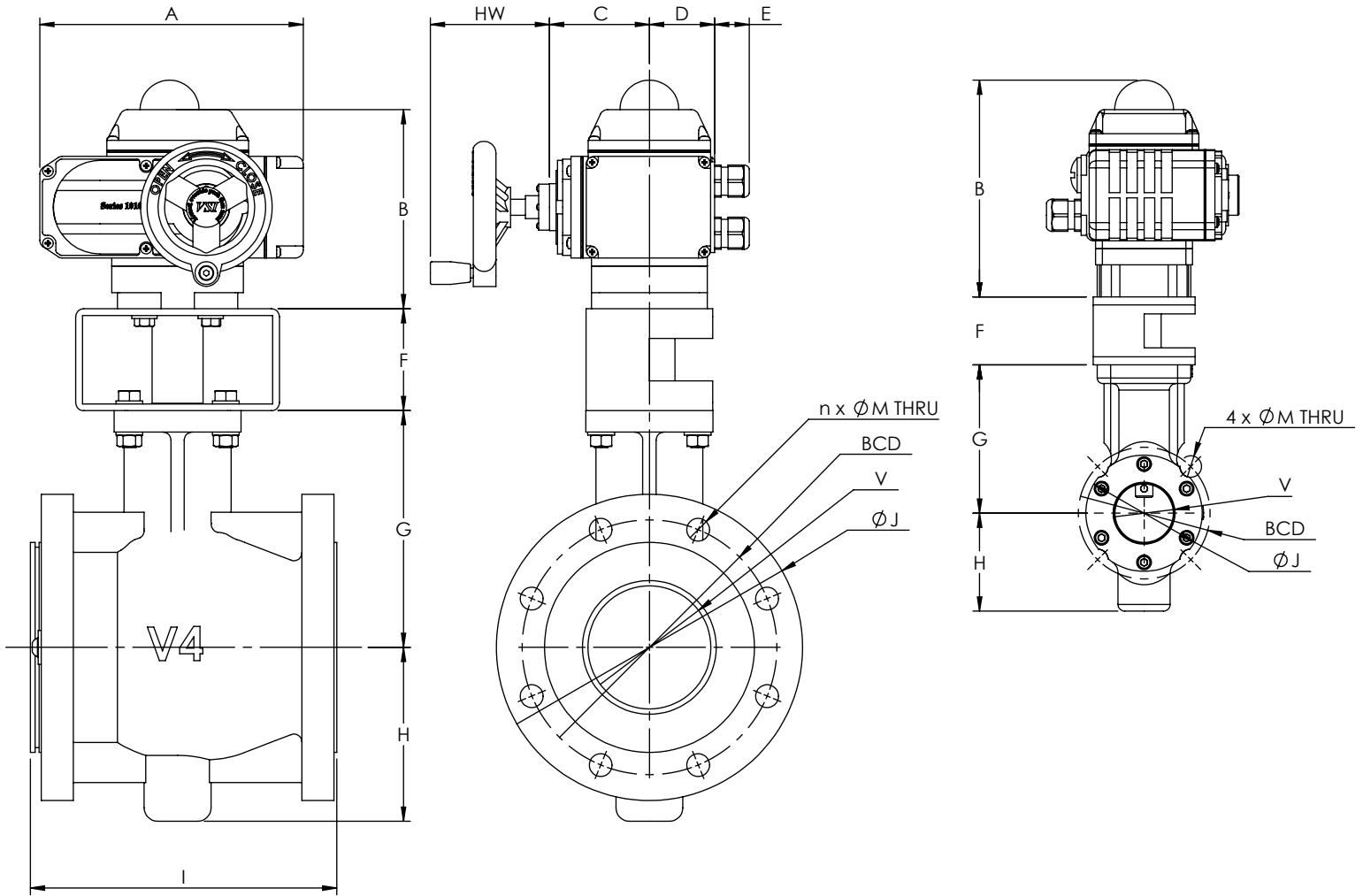
INCH	DN (MM)	BODY	Cv 75°	Cv 90°	VSI PN
1"	25	150/300	24	31	V-01/1005-X-24V
					V-01/1005-X
1.5"	40	150/300	55	73	V-15/1005-X-24V
					V-15/1005-X
2"	50	150/300	77	96	V-02/1005-X-24V
					V-02/1005-X
3"	80	150	207	270	V-03/1005-X-24V
					V-03/1005-X
4"	100	150	350	529	V-04/1010-X-24V
					V-04/1010-X
6"	150	150	507	850	V-06/1010-X-24V
					V-06/1010-X



SERIES V - SERIES 1000-X

INDUSTRIAL 2 POSITION ELECTRIC ACTUATORS
1" - 6" HIGH PERFORMANCE SEGMENTED BALL VALVES

REV. B



VALVE SIZE		A	B	C	D	E	HW	F	V	G	H	I	J	BCD	n x M
IN	DN (MM)														
1	25	160 (6.3)	160.5 (6.32)	63 (2.48)	49 (1.93)	24 (0.94)	87 (3.43)	50.8 (2)	1" NPT	101 (3.98)	65 (2.56)	127 (5)	70 (2.76)	79.5 (3.13)	4 x 5/8
1.5	40	160 (6.3)	160.5 (6.32)	63 (2.48)	49 (1.93)	24 (0.94)	87 (3.43)	50.8 (2)	1.5" NPT	166.8 (6.57)	73.2 (2.88)	165 (6.5)	87 (3.43)	98.5 (3.88)	4 x 5/8
2	50	160 (6.3)	160.5 (6.32)	63 (2.48)	49 (1.93)	24 (0.94)	87 (3.43)	50.8 (2)	2" NPT	128.5 (5.06)	91.5 (3.6)	178 (7)	101 (3.98)	127 (5)	4 x 3/4
3	75	160 (6.3)	160.5 (6.32)	63 (2.48)	49 (1.93)	24 (0.94)	87 (3.43)	76.2 (3)	Ø75 (2.95)	152 (5.98)	110 (4.33)	203 (8)	190.5 (7.5)	152.4 (6)	4 x 3/4
4	100	196 (7.72)	181 (7.13)	71 (2.8)	50 (1.97)	24 (0.94)	87 (3.43)	76.2 (3)	Ø100 (3.94)	177 (6.97)	130 (5.12)	229 (9)	229 (9)	190.5 (7.5)	8 x 3/4
6	150	196 (7.72)	181 (7.13)	71 (2.8)	50 (1.97)	24 (0.94)	87 (3.43)	76.2 (3)	Ø150 (6.06)	202.7 (7.98)	152.5 (6)	266.5 (10.5)	280 (11)	241.3 (9.5)	8 x 3/4