



SERIES V - SERIES C

DIRECT ACTING HIGH PRESSURE PNEUMATIC ACTUATORS
1" - 6" HIGH PERFORMANCE SEGMENTED BALL VALVES

SERIES V BALL VALVE

SERVICE: Chilled/Hot Water - 50% Glycol
Steam: 125 psi

FLOW CHARACTERISTIC: Equal %

SIZES: 1" - 6"

BODY: Carbon Steel / Stainless Steel Optional

BALL: 304SS

SHAFT: 304SS

SEAT: TFM 1700

O-RING: ALFAS

BEARING: PEEK

TEMPERATURE RANGE: -20°F to 400°F

CLOSE OFF: 250PSI

END CONNECTIONS:

1" - 2" : NPT/Wafer ANSI 150/300

3" - 6" : ANSI 150 Flanged or ANSI 300 Flanged

ASCO 8551 Direct Mount Solenoid

Watt Rating and Power Consumption

DC Watts	AC Watts	VA Holding	VA Inrush
6.9	6.3	7	10.1

Temperature Range: AC 5°F to 140°F (-15°C to 60°C)
DC 5°F to 77°F (-15°C to 25°C)

ALS-100 Limit Switch (Optional)

Position Indicator	Polycarbonate Dome
Switches	2x SPDT 5A 125-250 VAC micro-switches
Terminal Strip	Standard 8 Points
Cable Entry	2x 1/2" NPT
Mounting	NAMUR Standard shaft and bracket

VRC Model V Series Positioner

VP - Pneumatic 3-15 PSI

VE - Electro-Pneumatic 4-20mA (Optional)

Position Indicator: Flat Lens - Dome Lens (Optional)

PERFORMANCE

RESOLUTION	0.25% Maximum 0.10% Typical
REPEATABILITY	99.75% Minimum 99.90% Typical
HYSTERESIS	0.50% Maximum 0.25% Typical
LINEARITY	+/- 1.0% Maximum
GAIN @80 PSIG	250 Single-Acting 500 Double-Acting
AIR CONSUMPTION @80 PSIG	0.25 SCFM Standard Flow Spool Valve 0.45 SCFM Maximum Flow Spool Valve
TEMPERATURE RANGE	-40 to 150F / -40 to 65C

SERIES C ACTUATOR

REV. B

MINIMUM AIR SUPPLY: 40 psi

MAXIMUM AIR SUPPLY: 130 psi

TORQUE RANGE: 124 - 40519 in/lb (~80 psi)

HOUSING: Die Cast Aluminum Alloy

TEMPERATURE: 0°C to +80°C

-20°C to +80°C with dry air

-40°C to +150°C in special execution

OPERATING MEDIA: Compressed filtered air

Standard NAMUR mounts for optional accessories

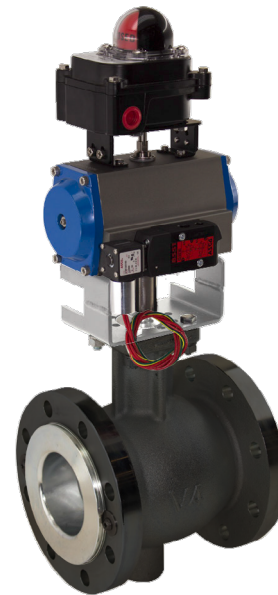
DOUBLE ACTING OPERATION (DA)

CCW

Air is supplied to Port A forcing the pistons away from each other (towards ends), rotating the drive pinion counter-clockwise and exhausting air out of Port B

CW

Air is supplied to Port B forcing the pistons toward each other (towards center), rotating the drive pinion clockwise and exhausting air out of Port A



2 Position
Shown with optional limit switch

SERIES V with DIRECT ACTING ACTUATORS

INCH	DN(MM)	BODY	Cv 75°	Cv 90°	VSI PART NUMBER
1"	25	150/300	24	31	V-01/C-DA045/WT8551
					V-01/C-DA045/VP7
1.5"	40	150/300	55	73	V-15/C-DA045/WT8551
					V-15/C-DA045/VP7
2"	50	150/300	77	96	V-02/C-DA063/WT8551
					V-02/C-DA063/VP7
3"	80	150	207	270	V-03/C-DA063/WT8551
					V-03/C-DA063/VP7
4"	100	150	350	529	V-04/C-DA083/WT8551
					V-04/C-DA083/VP7
6"	150	150	507	850	V-06/C-DA092/WT8551
					V-06/C-DA092/VP7

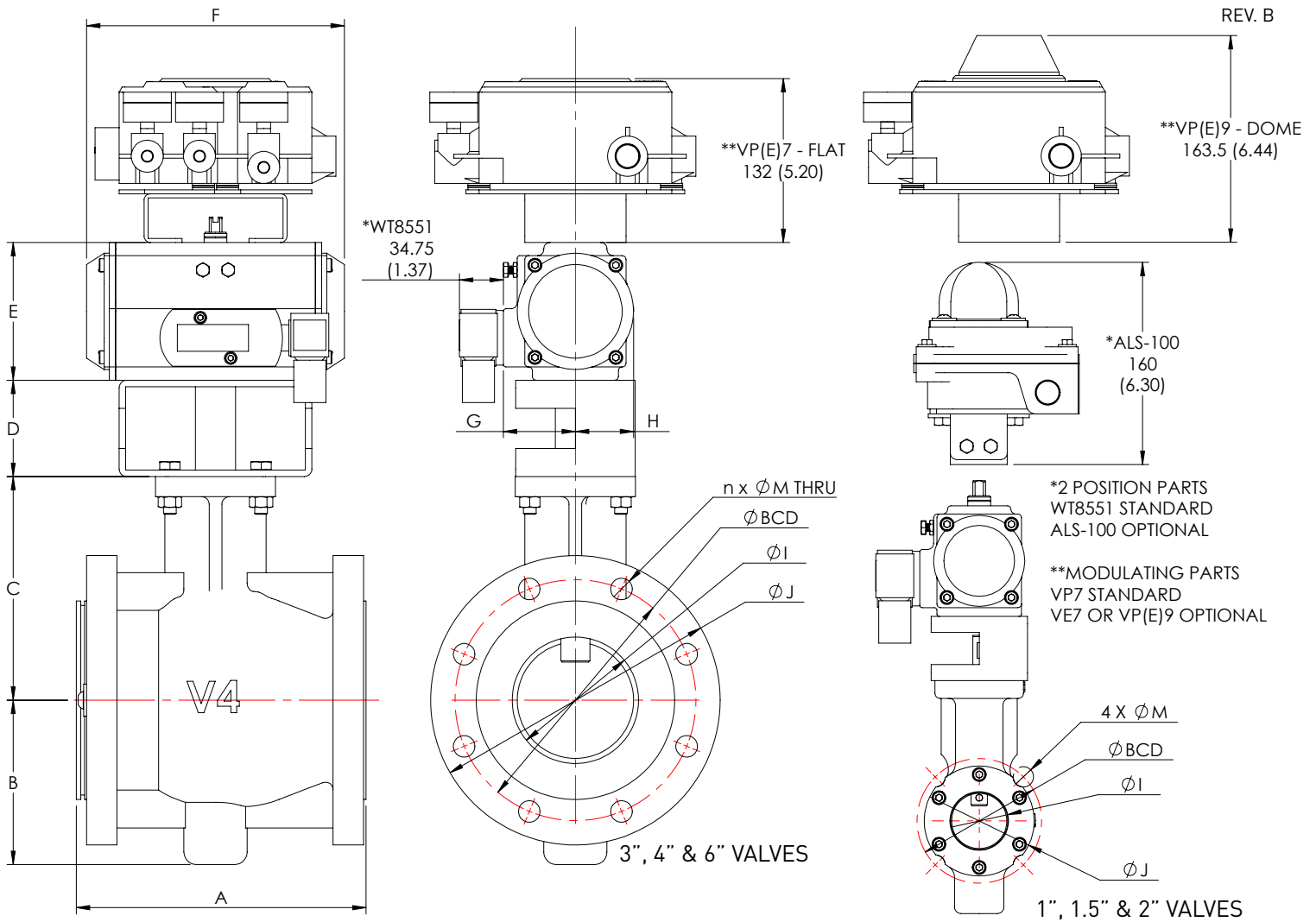
Please specify fail position and solenoid voltage when ordering.



SERIES V - SERIES C

DIRECT ACTING HIGH PRESSURE PNEUMATIC ACTUATORS
1" - 6" HIGH PERFORMANCE SEGMENTED BALL VALVES

DIMENSIONAL INFORMATION



DIMENSIONS: ^{MM}
INCHES

VALVE SIZE		ACTUATOR	A	B	C	D	E	F	G	H	I	J	BCD	n x M
INCH	DN													
1	25	C-DA063	127 5	65 2.56	101 3.98	50.8 2.00	87.5 3.44	168 6.61	47 1.85	36 1.42	1" NPT	ϕ 70 2.76	ϕ 79.5 3.13	4 x 16
1.5	40	C-DA063	165 6.5	73.2 2.88	166.8 6.57	50.8 2.00	87.5 3.44	168 6.61	47 1.85	36 1.42	1.5" NPT	ϕ 87 3.43	ϕ 98.5 3.88	4 x 16
2	50	C-DA063	178 7	91.5 3.60	128.5 5.06	50.8 2.00	87.5 3.44	168 6.61	47 1.85	36 1.42	2" NPT	ϕ 101 3.98	ϕ 127 5	4 x 19
3	80	C-DA063	203 8	110 4.33	152 5.98	76.2 3.00	87.5 3.44	168 6.61	47 1.85	36 1.42	ϕ 75 2.95	ϕ 190.5 7.5	ϕ 152.4 6	4 x 3/4"
4	100	C-DA083	229 9	130 5.12	177 6.97	76.2 3.00	108.7 4.28	204 8.03	57 2.24	46 1.81	ϕ 100 3.94	ϕ 229 9	ϕ 190.5 7.5	8 x 3/4"
6	150	C-DA092	266.5 10.5	152.5 6.00	202.7 7.98	76.2 3.00	116.5 4.59	262 10.31	58.5 2.30	50 1.97	ϕ 154 6.06	ϕ 279 11	ϕ 241.3 9.5	8 x 7/8"