



SERIES V - SERIES L

2 POSITION LOW PRESSURE PNEUMATIC ACTUATORS
1" - 6" HIGH PERFORMANCE SEGMENTED BALL VALVES

SERIES V BALL VALVE

SERVICE: Chilled/Hot Water - 50% Glycol

Steam: 125 psi

FLOW CHARACTERISTIC: Equal %

SIZES: 1" - 6"

BODY: Carbon Steel / Stainless Steel Optional

BALL: 304SS

SHAFT: 304SS

SEAT: TFM 1700

O-RING: ALFAS

BEARING: PEEK

TEMPERATURE RANGE: -20°F to 400°F

CLOSE OFF: 250PSI

END CONNECTIONS:

1" - 2" : NPT/Wafer ANSI 150/300

3" - 6" : ANSI 150 Flanged or ANSI 300 Flanged

SERIES L ACTUATOR

REV. B

MINIMUM AIR SUPPLY: 20psig

MAXIMUM AIR SUPPLY: 30psig

AIR CONSUMPTION: 2 SCIM (0.55 mL/s)

STROKE:

D-3153 - 3 INCHES

D-3244 - 4 INCHES

D-3246 - 6 INCHES

AMBIENT OPERATING CONDITIONS:

-20 TO 150°F (-29° TO 66°C)

BODY: Die-cast Aluminum

DIAPHRAGM: Synthetic elastomer

EFFECTIVE DIAPHRAGM:

D-3153 - 15 inch² (97 cm²)

D-3244 & D-3246 - 23.4 inch² (151 cm²)

SPRING RANGE (nominal): 8 to 13 psig

AIR CONNECTION: 1/8" NPT Barbed fitting



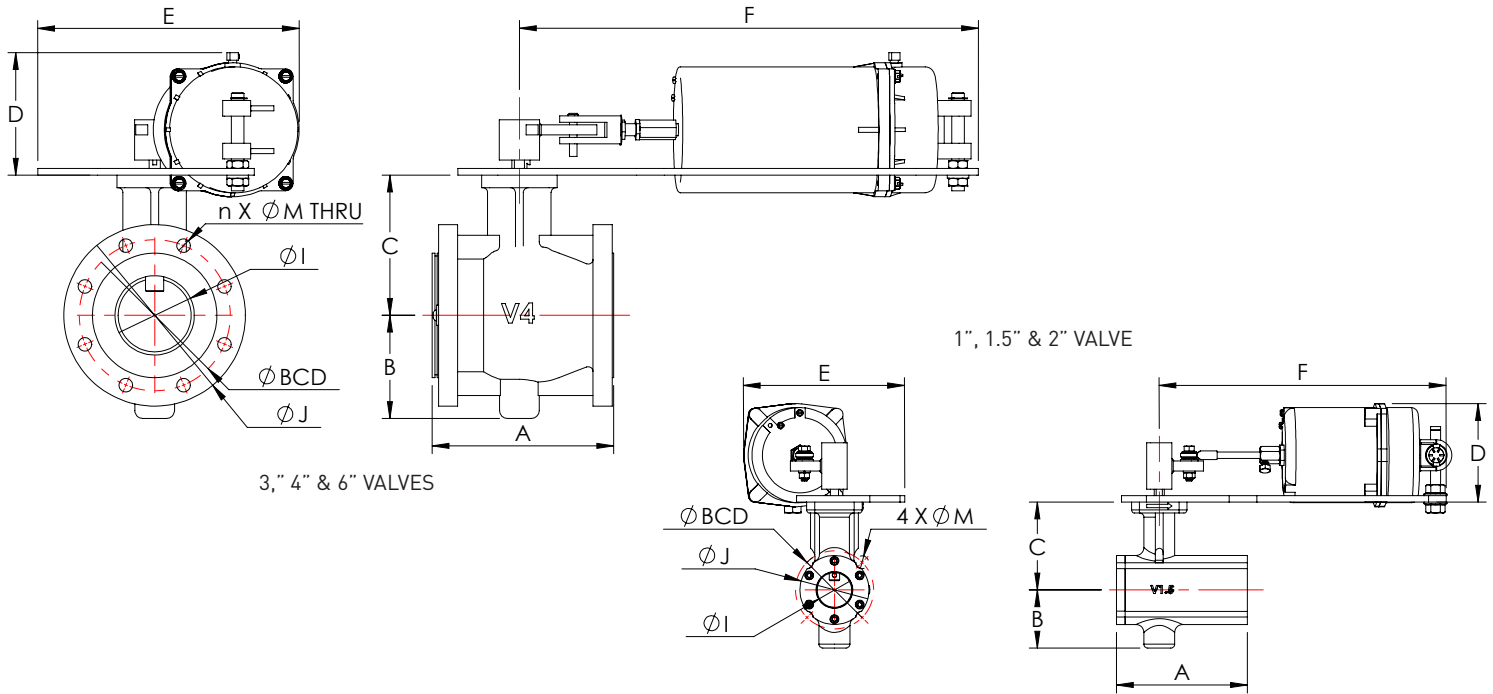
SERIES V with MODULATING ACTUATORS

INCH	DN(MM)	BODY	Cv 75°	Cv 90°	VSI PN
1"	25	150/300	24	31	V-01/D-3153-5130
1.5"	40	150/300	55	73	V-15/D-3153-5130
2"	50	150/300	77	96	V-02/D-3153-5130
3"	80	150	207	270	V-03/D-3244-5110
4"	100	150	350	529	V-04/D-3246-5110
6"	150	150	507	850	V-06/D-3246-5110

Please specify fail position when ordering.

DIMENSIONAL INFORMATION

Rev. B



DIMENSIONS: MM(INCHES)

VALVE SIZE		ACTUATOR	A	B	C	D	E	F	I	J	BCD	n x M
INCH	DN											
1	25	D3153-5130	127 (5)	65 (2.56)	101 (3.98)	127 (5)	203.2 (8)	361.95 (14.25)	1" NPT	Ø70 (2.76)	Ø79.5 (3.13)	4 x 16
1.5	40	D3153-5130	165 (6.5)	73.2 (2.88)	166.8 (6.57)	127 (5)	203.2 (8)	361.95 (14.25)	1.5" NPT	Ø87 (3.43)	Ø98.5 (3.88)	4 x 16
2	50	D3153-5130	178 (7)	91.5 (3.60)	128.5 (5.06)	127 (5)	203.2 (8)	361.95 (14.25)	2" NPT	Ø101 (3.98)	Ø127 (5)	4 x 19
3	80	D3244-5110	203 (8)	110 (4.33)	152 (5.98)	171.45 (6.75)	285.75 (11.25)	457.2 (18)	Ø75 (2.95)	Ø190.5 (7.5)	Ø152.4 (6)	4 x ¾"
4	100	D3246-5110	229 (9)	130 (5.12)	177 (6.97)	171.45 (6.75)	330.2 (13)	577.85 (22.75)	Ø100 (3.94)	Ø229 (9)	Ø190.5 (7.5)	8 x ¾"
6	150	D3246-5110	266.5 (10.5)	152.5 (6.00)	202.7 (7.98)	171.45 (6.75)	330.2 (13)	577.85 (22.75)	Ø154 (6.06)	Ø279 (11)	Ø241.3 (9.5)	8 x 7/8"