



# SERIES V - SERIES L

MODULATING LOW PRESSURE PNEUMATIC ACTUATORS  
1" - 6" HIGH PERFORMANCE SEGMENTED BALL VALVES

## SERIES V BALL VALVE

**SERVICE:** Chilled/Hot Water - 50% Glycol  
Steam: 125 psi  
**FLOW CHARACTERISTIC:** Equal %  
**SIZES:** 1" - 6"  
**BODY:** Carbon Steel / Stainless Steel Optional  
**BALL:** 304SS  
**SHAFT:** 304SS  
**SEAT:** TFM 1700  
**O-RING:** ALFAS  
**BEARING:** PEEK  
**TEMPERATURE RANGE:** -20°F to 400°F  
**CLOSE OFF:** 250PSI  
**END CONNECTIONS:**  
1" - 2" : NPT/Wafer ANSI 150/300  
3" - 6" : ANSI 150 Flanged or ANSI 300 Flanged

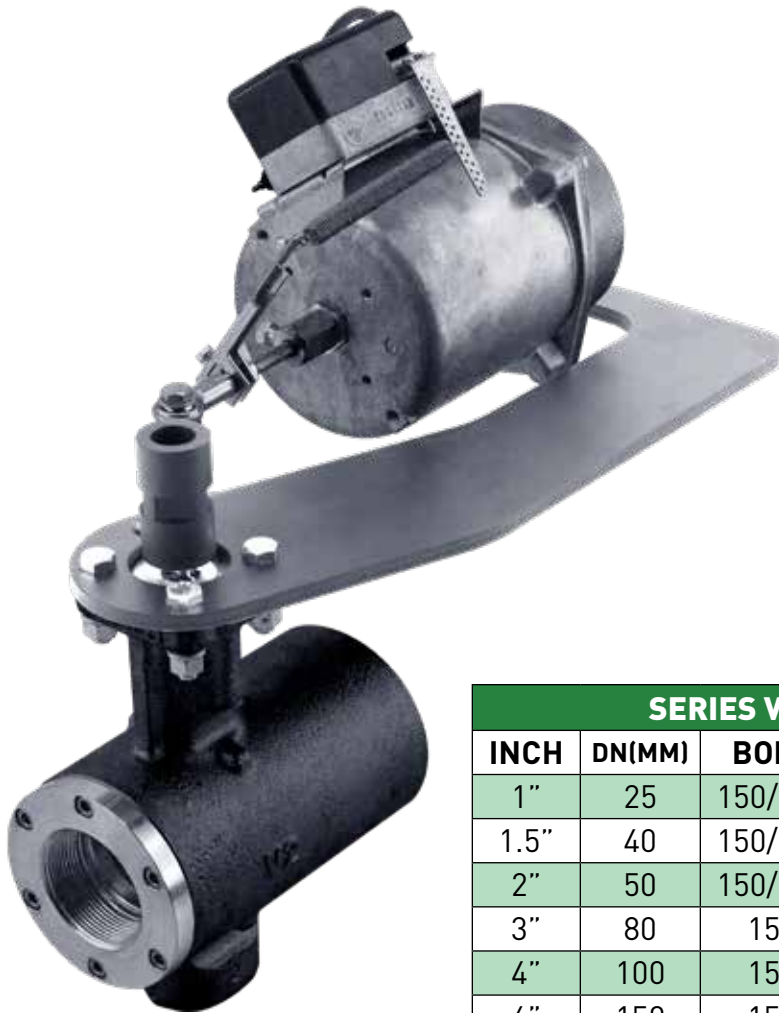
## SERIES L ACTUATOR

Rev. C

**MINIMUM AIR SUPPLY:** 20psig  
**MAXIMUM AIR SUPPLY:** 30psig  
**AIR CONSUMPTION:** 2 SCIM (0.55 mL/s)  
**STROKE:**  
D-3153 - 3 INCHES  
D-3244 - 4 INCHES  
D-3246 - 6 INCHES  
**AMBIENT OPERATING CONDITIONS:**  
-20 TO 150°F (-29° TO 66°C)  
**BODY:** Die-cast Aluminum  
**DIAPHRAGM:** Synthetic elastomer  
**EFFECTIVE DIAPHRAGM:**  
D-3153 - 15 inch<sup>2</sup> (97 cm<sup>2</sup>)  
D-3244 & D-3246 - 23.4 inch<sup>2</sup> (151 cm<sup>2</sup>)  
**SPRING RANGE (nominal):** 8 to 13 psig  
**AIR CONNECTION:** 1/8" NPT Barbed fitting

## PILOT POSITIONER

**START POINT:** Adjustable from 2 to 12 psig  
**SPAN:** Adjustable from 3 to 13 psi  
**MAXIMUM AIR SUPPLY:** 25 psig  
**AIR CONSUMPTION:** 5 SCIM (1.4 mL/s)  
**AMBIENT OPERATING CONDITIONS:**  
-20 TO 150°F (-29° TO 66°C)  
**AIR CONNECTION:** 1/8" NPT Barbed fitting

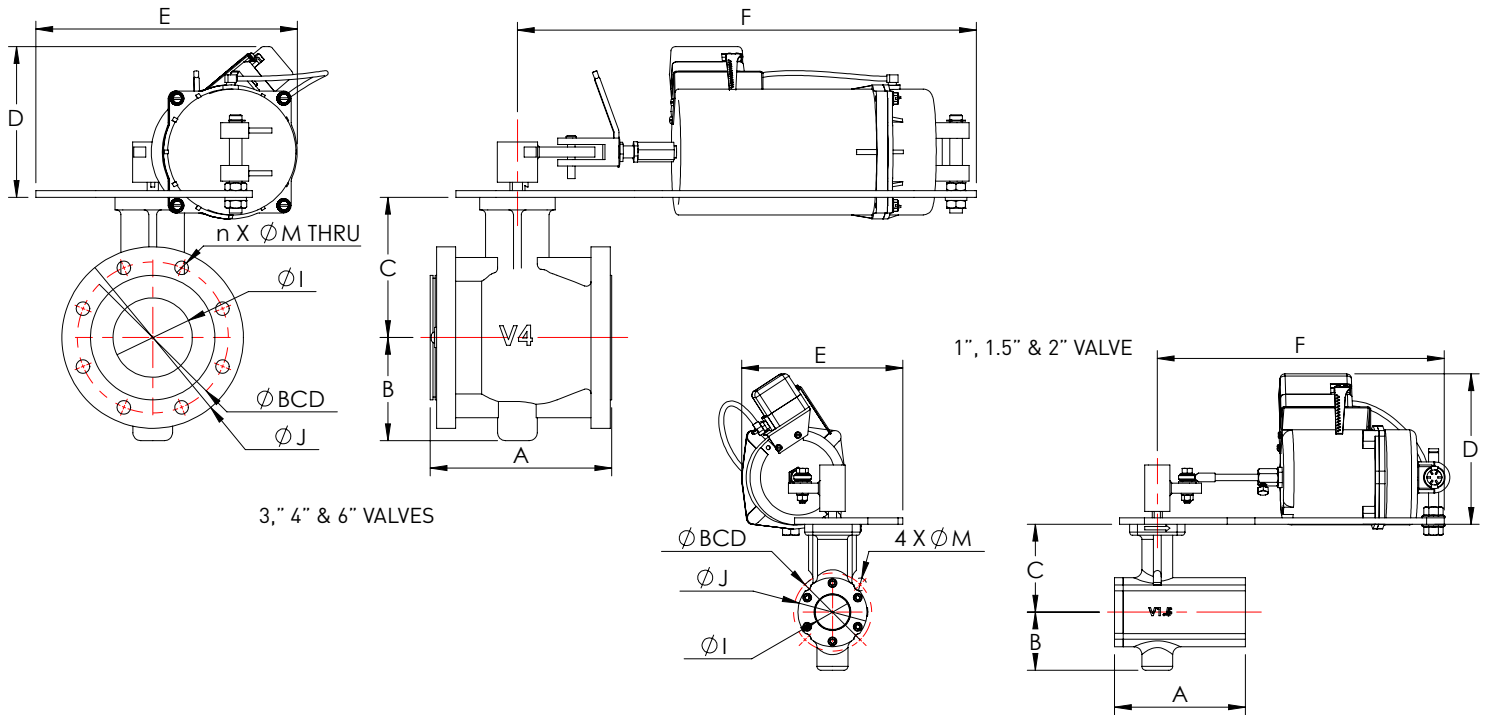


SERIES V with MODULATING ACTUATORS					
INCH	DN(MM)	BODY	Cv 75°	Cv 90°	VSI PN
1"	25	150/300	24	31	V-01/D-3153-5120*
1.5"	40	150/300	55	73	V-15/D-3153-5120*
2"	50	150/300	77	96	V-02/D-3153-5120*
3"	80	150	207	270	V-03/D-3244-5100*
4"	100	150	350	529	V-04/D-3246-5100*
6"	150	150	507	850	V-06/D-3246-5100*

\*Please specify fail position when ordering.

### DIMENSIONAL INFORMATION

Rev B.



DIMENSIONS: MM(INCHES)

VALVE SIZE		ACTUATOR	A	B	C	D	E	F	I	J	BCD	n x M
INCH	DN											
1	25	D3153-5120	127 (5)	65 (2.56)	101 (3.98)	209.55 (8.25)	203.2 (8)	361.95 (14.25)	1" NPT	Ø70 (2.76)	Ø79.5 (3.13)	4 x 16
1.5	40	D3153-5120	165 (6.5)	73.2 (2.88)	166.8 (6.57)	209.55 (8.25)	203.2 (8)	361.95 (14.25)	1.5" NPT	Ø87 (3.43)	Ø98.5 (3.88)	4 x 16
2	50	D3153-5120	178 (7)	91.5 (3.60)	128.5 (5.06)	209.55 (8.25)	203.2 (8)	361.95 (14.25)	2" NPT	Ø101 (3.98)	Ø127 (5)	4 x 19
3	80	D3244-5100	203 (8)	110 (4.33)	152 (5.98)	209.55 (8.25)	285.75 (11.25)	457.2 (18)	Ø75 (2.95)	Ø190.5 (7.5)	Ø152.4 (6)	4 x 3/4"
4	100	D3246-5100	229 (9)	130 (5.12)	177 (6.97)	209.55 (8.25)	330.2 (13)	577.85 (22.75)	Ø100 (3.94)	Ø229 (9)	Ø190.5 (7.5)	8 x 3/4"
6	150	D3246-5100	266.5 (10.5)	152.5 (6.00)	202.7 (7.98)	209.55 (8.25)	330.2 (13)	577.85 (22.75)	Ø154 (6.06)	Ø279 (11)	Ø241.3 (9.5)	8 x 7/8"