



SERIES V - 24V DCA

2 POSITION BELIMO DAMPER ELECTRIC ACTUATORS
1" - 6" HIGH PERFORMANCE SEGMENTED BALL VALVES

SERIES V BALL VALVE

SERVICE: Chilled/Hot Water - 50% Glycol
Steam: 125 psi

FLOW CHARACTERISTIC: Equal %

SIZES: 1" - 6"

BODY: Carbon Steel / Stainless Steel Optional

BALL: 304SS

SHAFT: 304SS

SEAT: TFM 1700

O-RING: ALFAS

BEARING: PEEK

TEMPERATURE RANGE: -20°F to 400°F

CLOSE OFF: 250PSI

END CONNECTIONS:

1" - 2" : NPT/Wafer ANSI 150/300

3" - 6" : ANSI 150 Flanged or ANSI 300 Flanged

DAMPER ACTUATORS

NEMA 2 PROTECTION

POWER SUPPLY: 24VAC ± 20% 50/60Hz
24VDC ± 10%

TEMPERATURE RANGE: -5°F to +125°F

RUNTIME: 75 to 150 sec

POWER CONSUMPTION

LMB24-3: 2.5VA / 1.5W

NMB24: 4VA / 2W

AMB24-3: 5.5VA / 2.5W

GMB24-3: 6VA / 4W

NFB24: 8.5VA / 6W

AFB24: 7.5VA / 5W

EFB24: 16VA / 9.5W

GKX24-MFT: 21VA / 12W

POWER CONNECTION

1/2" CONDUIT TO 3' CABLE (18 GA)



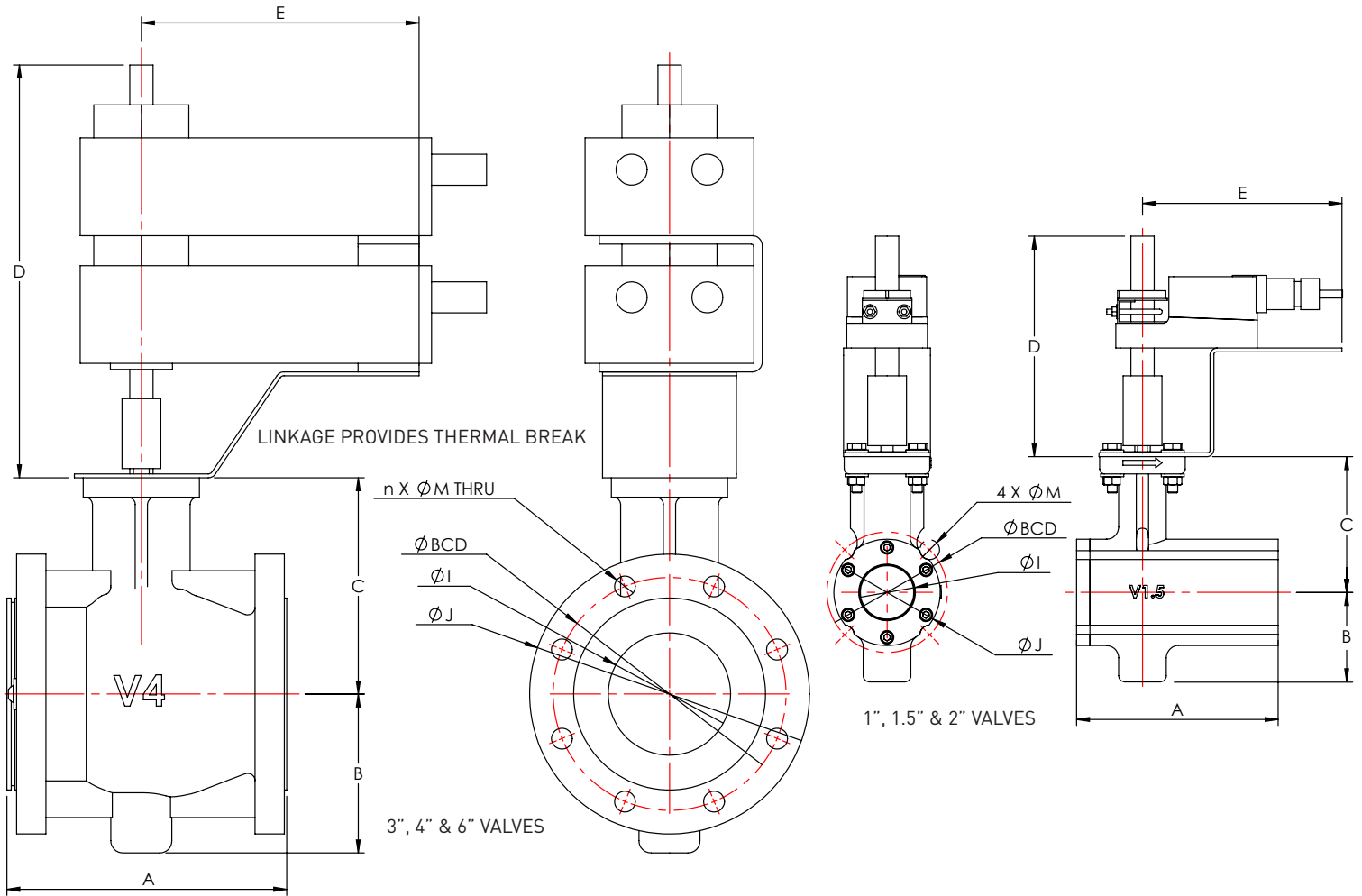
2 POSITION NON-SPRING RETURN ACTUATORS					
INCH	DN(MM)	BODY	Cv 75°	Cv 90°	VSI PN
1"	25	150/300	24	31	V-1/LMB24-3
1.5"	40	150/300	55	73	V-1.5/NMB24-3
2"	50	150/300	77	96	V-2/AMB24-3
3"	80	150	207	270	V-3/GMB24-3
4"	100	150	350	529	V-4/GMB24-3X2
6"	150	150	507	850	V-6/GMB24-3X2
2 POSITION SPRING RETURN ACTUATORS					
1"	25	150/300	24	31	V-1/NFB24
1.5"	40	150/300	55	73	V-1.5/NFB24
2"	50	150/300	77	96	V-2/AFB24
3"	80	150	207	270	V-3/EFB24
4"	100	150	350	529	V-4/EFB24X2
6"	150	150	507	850	V-6/GKX24-MFTX2



SERIES V - 24V DCA

2 POSITION BELIMO DAMPER ELECTRIC ACTUATORS
1" - 6" HIGH PERFORMANCE SEGMENTED BALL VALVES

DIMENSIONAL INFORMATION



DIMENSIONS: MM (INCHES)

VALVE SIZE		ACTUATOR	A	B	C	D	E	I	J	BCD	n x M
INCH	DN										
NON-SPRING RETURN ACTUATORS											
1	25	LMB24-3	127 (5)	65 (2.56)	101 (3.98)	177.8 (7)	165.1 (6.5)	1" NPT	Ø70 (2.76)	Ø79.5 (3.13)	4 x 16
1.5	40	NMB24-3	165 (6.5)	73.2 (2.88)	166.8 (6.57)	177.8 (7)	165.1 (6.5)	1.5" NPT	Ø87 (3.43)	Ø98.5 (3.88)	4 x 16
2	50	AMB24-3	178 (7)	91.5 (3.6)	128.5 (5.06)	177.8 (7)	165.1 (6.5)	2" NPT	Ø101 (3.98)	Ø127 (5)	4 x 19
3	80	GMB24-3	203 (8)	110 (4.33)	152 (5.98)	177.8 (7)	234.95 (9.25)	Ø75 (2.95)	Ø190.5 (7.5)	Ø152.4 (6)	4 x ¾"
4	100	GMB24-3X2	229 (9)	130 (5.12)	177 (6.97)	285.75 (11.25)	234.95 (9.25)	Ø100 (3.94)	Ø229 (9)	Ø190.5 (7.5)	8 x ¾"
6	150	GMB24-3X2	266.5 (10.5)	152.5 (6)	202.7 (7.98)	285.75 (11.25)	234.95 (9.25)	Ø154 (6.06)	Ø279 (11)	Ø241.3 (9.5)	8 x 7/8"
SPRING RETURN ACTUATORS											
1	25	NFB24	127 (5)	65 (2.56)	101 (3.98)	177.8 (7)	165.1 (6.5)	1" NPT	Ø70 (2.76)	Ø79.5 (3.13)	4 x 16
1.5	40	NFB24	165 (6.5)	73.2 (2.88)	166.8 (6.57)	177.8 (7)	165.1 (6.5)	1.5" NPT	Ø87 (3.43)	Ø98.5 (3.88)	4 x 16
2	50	AFB24	178 (7)	91.5 (3.6)	128.5 (5.06)	177.8 (7)	234.95 (9.25)	2" NPT	Ø101 (3.98)	Ø127 (5)	4 x 19
3	80	EFB24	203 (8)	110 (4.33)	152 (5.98)	203.2 (8)	237.5 (9.35)	Ø75 (2.95)	Ø190.5 (7.5)	Ø152.4 (6)	4 x ¾"
4	100	EFB24X2	229 (9)	130 (5.12)	177 (6.97)	342.9 (13.5)	237.5 (9.35)	Ø100 (3.94)	Ø229 (9)	Ø190.5 (7.5)	8 x ¾"
6	150	GKX24-MFTX2	266.5 (10.5)	152.5 (6)	202.7 (7.98)	285.75 (11.25)	234.95 (9.25)	Ø154 (6.06)	Ø279 (11)	Ø241.3 (9.5)	8 x 7/8"