



# SERIES V - PKBUP-MFT-T

BELIMO PKBUP-MFT-T ELECTRIC ACTUATORS  
4" - 8" HIGH PERFORMANCE SEGMENTED BALL VALVES

## SERIES V BALL VALVE

**SERVICE:** Chilled/Hot Water - 50% Glycol  
Steam: 125psi

**FLOW CHARACTERISTIC:** Equal %

**SIZES:** 4" - 8"

**BODY:** Carbon Steel / Stainless Steel Optional

**BALL:** 316SS

**SHAFT:** 304SS

**SEAT:** TFM 1700

**O-RING:** VITON

**BEARING:** PEEK

**TEMPERATURE RANGE:** -10°F to 450°F

**CLOSE OFF:** 250PSI

**END CONNECTIONS:**

4" - 8" : ANSI 150 Flanged

### NEMA 4X PROTECTION

**POWER SUPPLY:** 24VAC-220VAC ± 20% 50/60Hz  
24VDC-125VDC ± 10%

**TEMPERATURE RANGE:** -22°F to +122°F

**RUNTIME:** default 35s, variable 30 to 120 sec

### POWER CONSUMPTION (op/rest)

PKBUP-MFT-T: 52W / 9W

### POWER CONNECTION

1/2" CONDUIT TO 3' CABLE (18 GA)

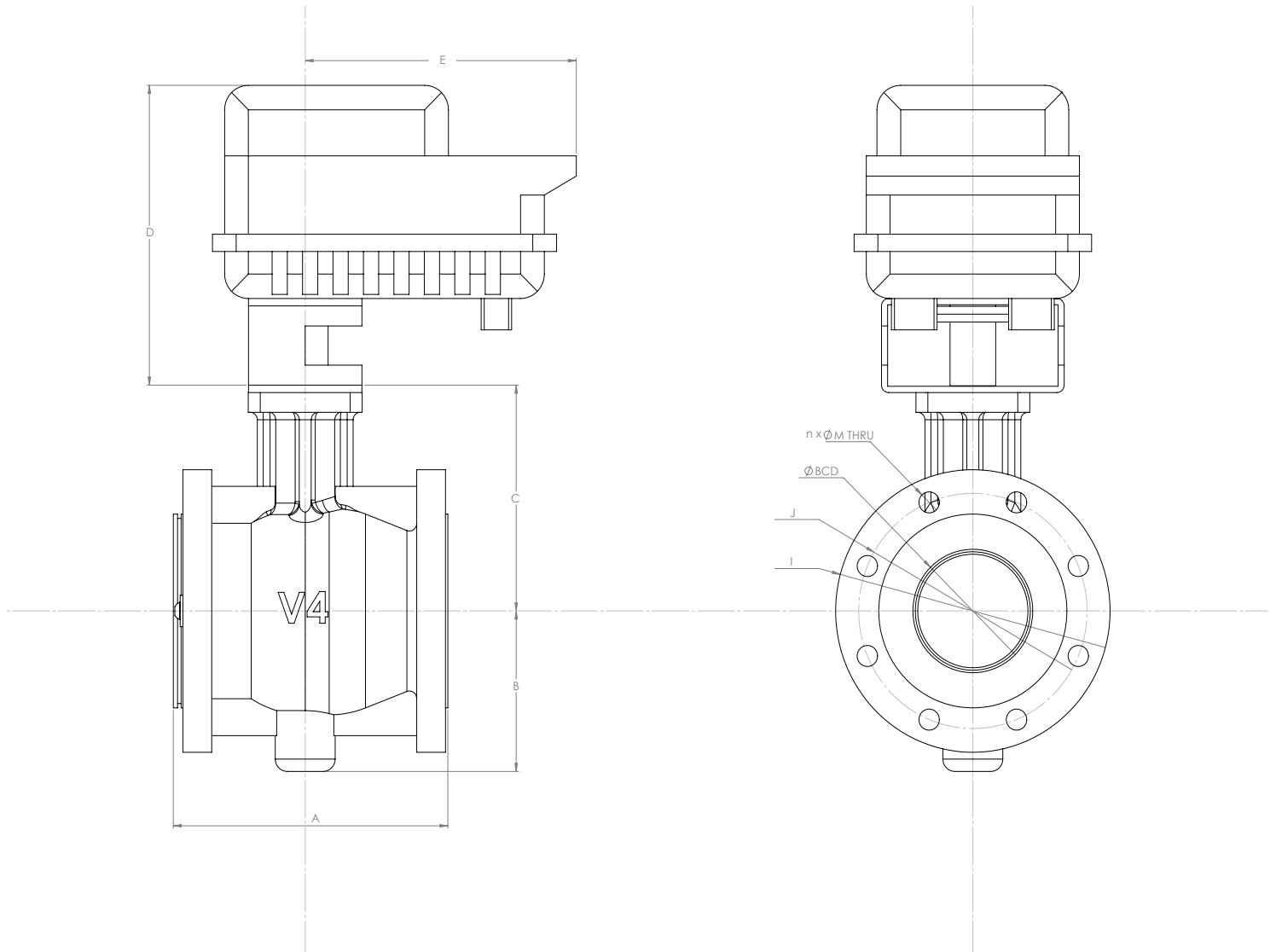


FAIL-SAFE NEMA 4X ACTUATORS					
INCH	DN(MM)	BODY	Cv 75°	Cv 90°	VSI PN
4"	100	150	350	529	V-4/PKBUP-MFT-T
6"	150	150	507	850	V-6/PKBUP-MFT-T
8"	200	150	865	1455	V-8/PKBUP-MFT-T



# SERIES V - PKBUP-MFT-T

BELIMO PKBUP-MFT-T ELECTRIC ACTUATORS  
4" - 8" HIGH PERFORMANCE SEGMENTED BALL VALVES



VALVE SIZE		A	B	C	D	E	I	J	BCD	n x M
IN	DN (MM)									
4	100	229 (9.00)	130 (5.12)	177 (6.97)	242.72 (9.56)	229.5 (9.04)	100 (3.94)	229 (9.00)	190.5 (7.50)	8 x 3/4"
6	150	266.5 (10.5)	152.5 (6.00)	202.7 (7.98)	242.72 (9.56)	229.5 (9.04)	154 (6.06)	405 (15.94)	279 (11.00)	8 x 7/8"
8	200	244 (9.60)	184 (7.24)	231.90 (9.13)	242.72 (9.56)	229.5 (9.04)	243 (9.57)	345 (13.58)	298.5 (11.75)	8 x 7/8"